

Mounting instructions

Screw-on cable trays with fittings for screwing and clamping

Screw-on cable trays with fittings for screwing and clamping
Mounting instructions

Table of contents

1	About these instructions	5
1.1	Target group	5
1.2	Relevance of these instructions	5
1.3	Types of warning information	5
1.4	Depiction conventions	6
1.5	Basic standards and regulations	6
1.6	Applicable documents	6
2	Intended use	7
3	Safety	7
3.1	General safety information	7
3.2	Personal protective equipment	7
4	Necessary tools	7
5	System overview	8
5.1	System description	8
5.1.1	Cable trays	8
5.2	Connectors	9
5.2.1	Fittings	10
5.2.2	Cover for cable trays	14
5.2.3	Cover for fittings	15
5.2.4	Accessories	17
6	Installation	18
6.1	Cutting the cable tray	19
6.2	Pre-drilling unperforated cut cable trays	19
6.3	Mounting the joint plate	20
6.4	Applying the edge protection strip	20
6.5	Connecting cable trays	21
6.5.1	Creating a straight connection	21
6.5.2	Creating an angled connection	26
6.5.3	Creating a vertical connection	30
6.6	Mounting fittings	33
6.6.1	Supporting fittings	33
6.6.2	Mounting fitting on T piece, as example	34
6.6.3	Mounting an add-on tee as a branch	38
6.6.4	Mounting an add-on tee as a reduction	40
6.6.5	Mounting the adjustable bend	41
6.6.6	Mounting falling or rising vertical bends	44
6.6.7	Mounting an adjustable bend element	45
6.6.8	Mounting a reducer profile/end closure	46
6.7	Mounting a barrier strip	49
6.7.1	Connecting barrier strips with a barrier strip connector	50
6.8	Creating equipotential bonding	50
6.9	Mounting covers	51
6.9.1	Mounting a cover with a cover clamp	51
6.9.2	Mounting a cover with turn buckle	52

6.9.3 Mounting fitting cover	55
7 Maintaining the system	56
8 Dismantling the system	56
9 Disposing of the system	56
10 Technical data	57
10.1 Article list	57
10.2 Amount of fastening material	84
10.2.1 Recommended amount of fastening material for each screw connection	84
10.2.2 Recommended amount of fastening material for each clamp connection	85

1 About these instructions

1.1 Target group

- These mounting instructions are intended for the following target group:
- Engineers and architects charged with the planning of cable support systems with cable trays.
- Electrically trained specialists charged with installing cable support systems and cable trays.



Installation
electrotechnical expertise

1.2 Relevance of these instructions

These instructions are based on the standards valid at the time of compilation (12/2023).

Please read the instructions carefully before starting mounting. We will not accept any warranty claims for damage caused through non-observance of these instructions.

Any images are intended merely as examples. Mounting results may look different.

In these instructions, cables and lines are referred to simply as cables.

1.3 Types of warning information



WARNING

Type of risk!

Shows a risky situation. If the warning information is not observed, then serious or fatal injuries may occur.



CAUTION

Type of risk!

Shows a risky situation. If the warning information is not observed, then medium or minor injuries may occur.

CAUTION

Type of risk!

Shows a risky situation. If the warning information is not observed, then damage to the product or the surroundings may occur.

Note!

Indicates important information or assistance.

1.4 Depiction conventions

Explanation of the depictions used:



Correct design



Incorrect design

1.5 Basic standards and regulations

The screw-on cable tray systems fulfil the requirements of "IEC 61537:2006 – Cable management – Cable tray systems and cable ladder systems" for the low-voltage area.

1.6 Applicable documents

- Declaration of conformity, see www.obo.global/service/downloads/declarations-of-conformity/

Mounting instructions for different support structures:

- U support systems, see www.obo.de/out/media/04-150_MA_U_support_systems.pdf
- I support systems, see www.obo.de/out/media/04-150_MA_I_support_systems.pdf
- Universal systems, see www.obo.de/out/media/04-150_MA_Universal_systems.pdf
- Trapezoidal systems, see www.obo.de/out/media/04-150_MA_TP_support_systems.pdf
- Clamp fastenings, see www.obo.de/out/media/04-150_MA_Clamp_fastening_systems.pdf

2 Intended use

The screw-on cable tray systems are used to support and route all kinds of cables, taking the approved load values into account. Depending on the corrosion protection used, they can be mounted both indoors and outdoors.

The cable tray systems are suitable for use at ambient temperatures of -20 °C to 120 °C . At temperatures below -20 °C , the material will become brittle and may not be processed any further.

The screw-on cable tray systems are not designed for any other purpose than the one described here. If the screw-on cable tray systems are used for another purpose, any liability, warranty or damage claims shall be rendered null and void.

3 Safety

3.1 General safety information

Observe the following general safety information:

- Only have electrical work carried out by specialist personnel with electrical training.
- Risk of cutting from plate edges. Wear protective gloves.
- Design the screw-on cable tray systems according to the loads to be expected.

3.2 Personal protective equipment

List of personal protective equipment to be used:



Use hand protection



Wear eye protection

4 Necessary tools

List of tools to be used:

- Angle grinder
- Drill/battery-operated screwdriver
- Torque spanner
- Screwdriver
- Hammer

5 System overview

5.1 System description

The screw-on cable trays for routing cables are designed for high support loads. The widths vary from 100 to 600 mm and the side heights from 35 to 110 mm. The cable trays are screwed together using connector holes with the appropriate fastening material. The selection of the matching cable tray system is dependent on the area of use and the cable load and volume to be routed.

The following screw-on cable tray systems are available with hot galvanised (FS) and hot-dip galvanised (FT) and stainless steel (A2/A4) stainless steel surfaces:

- MKS medium-duty cable tray system
- SKS heavy-duty cable tray system
- DKS perforated cable tray system
- EKS extra-heavy cable tray system
- IKS industrial cable tray system

The screw-on cable trays are available in perforated (MKS, SKS, DKS, EKS, IKS) and unperforated (MKSU, SKSU, EKSU) versions. The systems include numerous connectors, fittings – such as bends, add-on tees, T and reducers, cross-overs and covers – and further accessories.

The cable tray systems can be mounted on floors, walls and ceilings on various support systems. The mounting of the support systems is described in separate mounting instructions, see „1.6 Applicable documents“ on page 6.

5.1.1 Cable trays

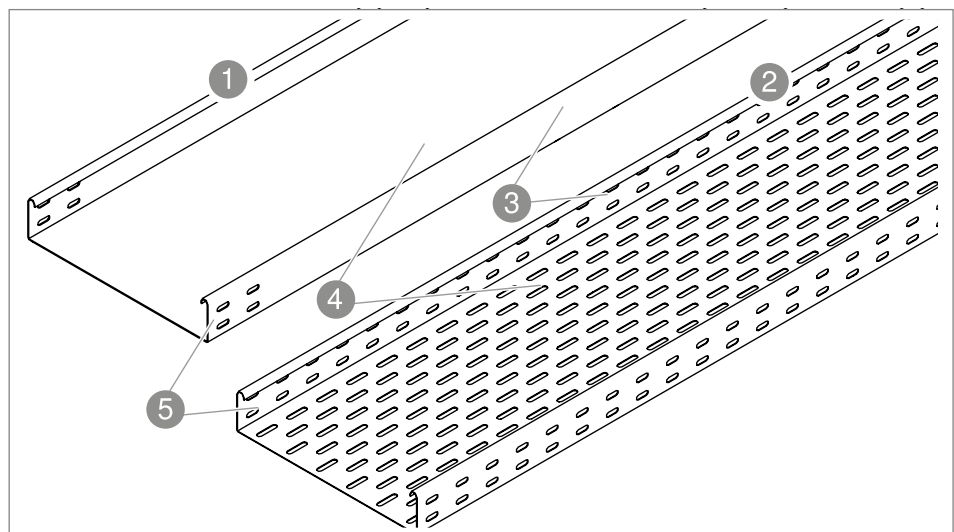


Fig. 1: Unperforated and perforated tray

- ① Unperforated cable tray (MKSU, SKSU, EKSU)

- ② 1 Perforated cable tray (MKS, SKS, DKS, EKS, IKS)
- ③ 1 Cable tray rail with rounded rail edge
- ④ 1 Cable tray base
- ⑤ 1 Connector perforation

5.2 Connectors

The following parts can be interconnected using connectors:

- Cable tray with cable tray
- Cable tray with fitting

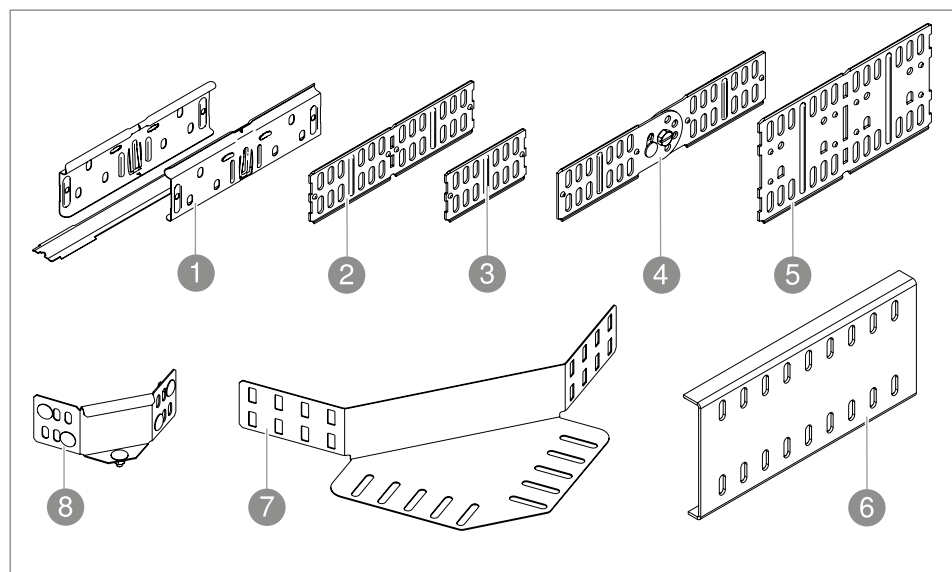


Fig. 2: Connector

No.	Designation	Function	Application
①	RV straight connector set with joint plate for MKS/SKS	Screwless straight connection	Cable tray height 35 and 60 mm
②	RWVL straight and angle connector	Screwed straight connection and horizontal change of direction	Cable tray height 35 and 60 mm
③	RLVK straight connector	Screwed straight connection and horizontal change of direction	Cable tray height 35 and 60 mm
④	RGV adjustable connector	Vertical change of direction, screwed	All cable tray heights
⑤	RLVL straight connector	Screwed-on straight connection	Cable tray height 85 and 110 mm
⑥	RLVA outside straight connector	Screwed-on straight connection	SKSU height 110 mm, length 6000 mm
⑦	REV corner connector	Creation of 90° bend for cables with large bend radius, screwed-on	All cable tray heights
⑧	WKV angle connector	Creation of 90° bend or corner, screwed-on	Cable tray height 35 and 60 mm

Tab. 1: Overview of connectors

5.2.1 Fittings

The fittings can be used for cable trays of widths of 100 to 600 mm and the heights 35, 60, 85 and 110 mm. The fittings can be fastened to the cable tray rail either with double clamps of type DOP A2 or with truss-head bolts of type FRS and combination nuts. The exceptions to this are vertical bends, adjustable bend elements and fittings with a side height of 35 mm. These fittings can only be screwed on. All fittings have integrated joint plates with additional beading to protect the cables. The joint plates can also be screwed to the tray with FRS truss-head bolts and combination nuts.

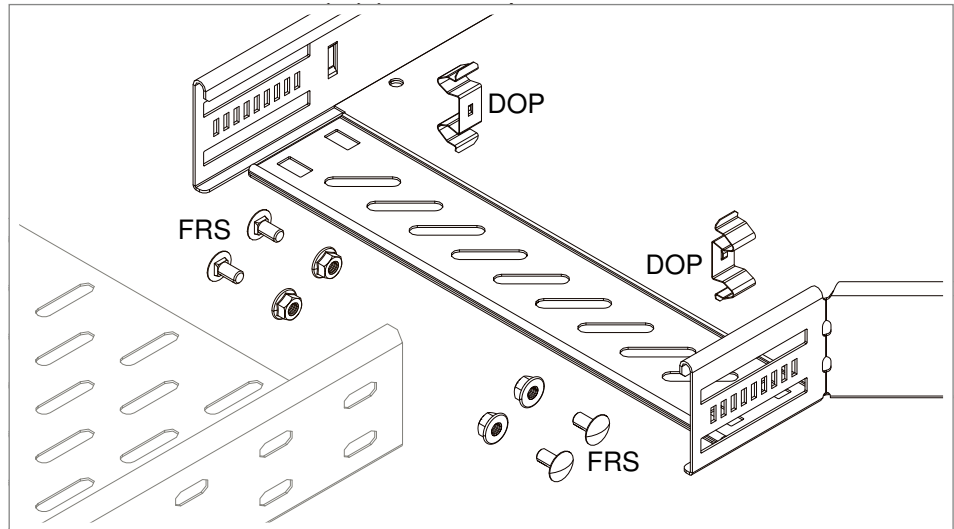


Fig. 3: Connection strap/perforation for screws and double clamp

45° and 90° bend

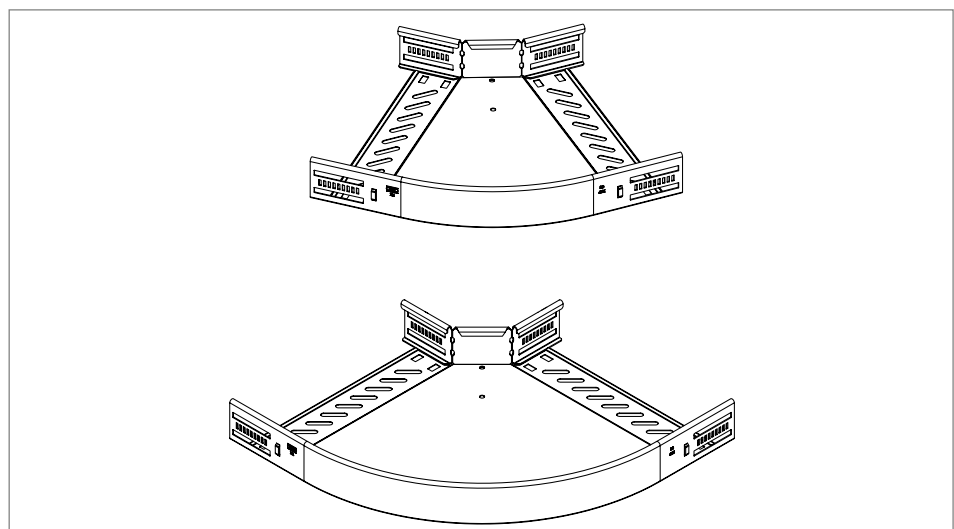


Fig. 4: 45° and 90° bend

Adjustable bend

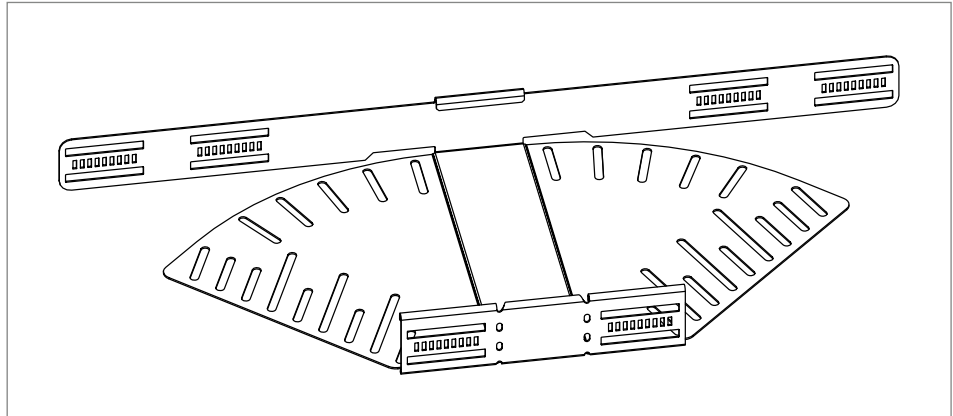


Fig. 5: Adjustable bend

Add-on tee

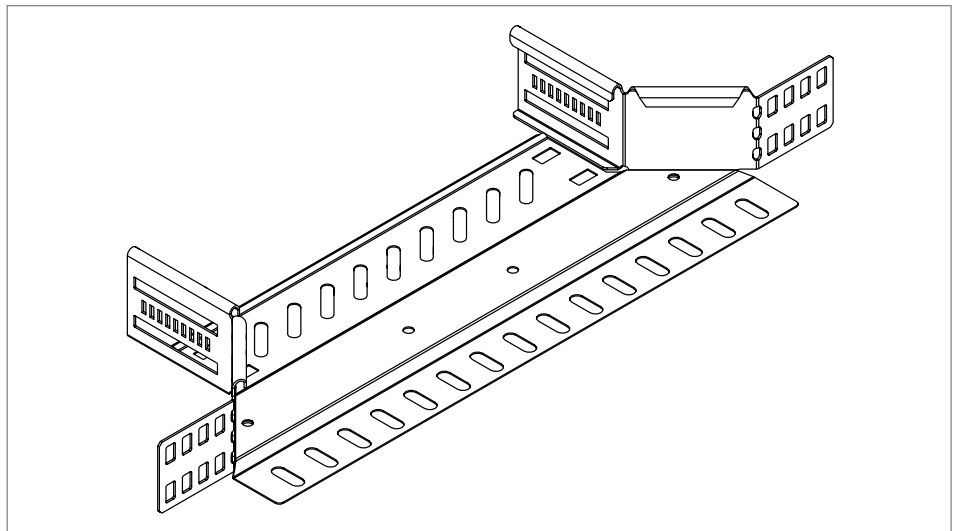


Fig. 6: Add-on tee

T piece

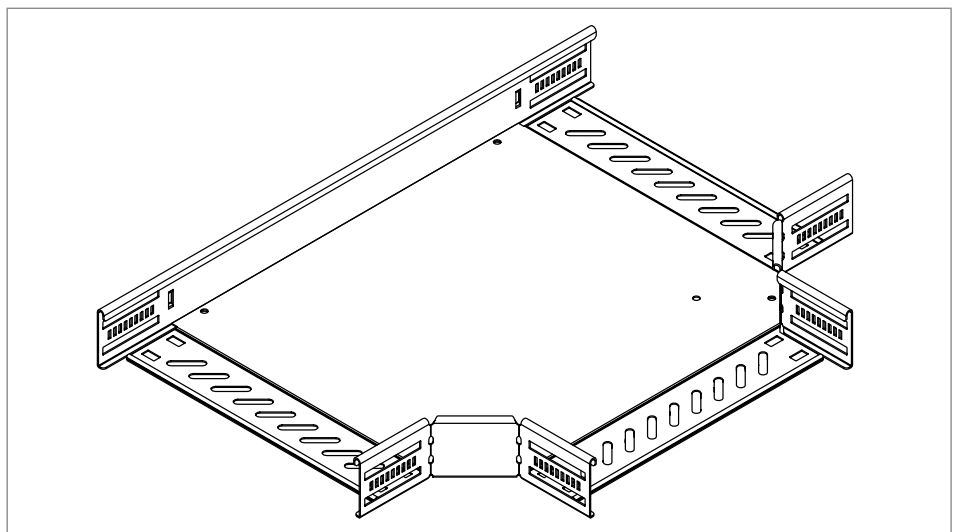


Fig. 7: T piece

Cross-over

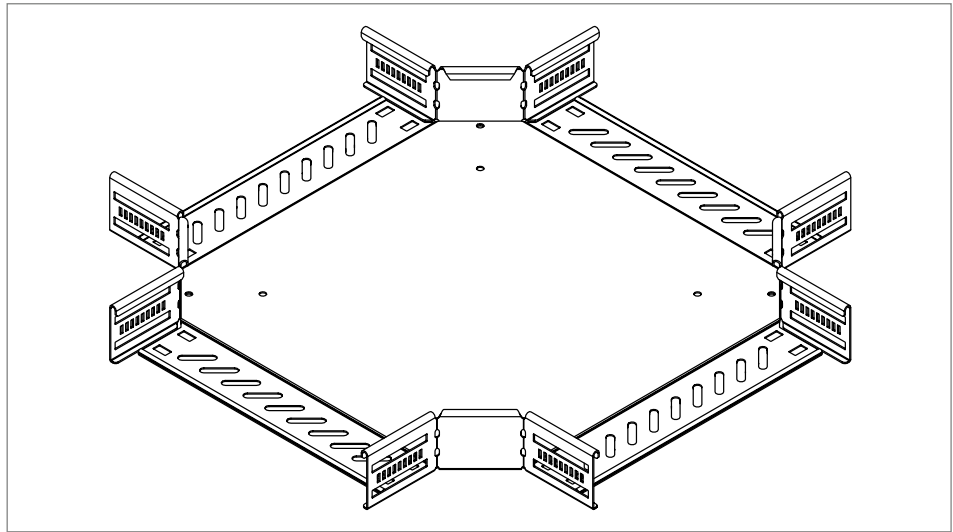


Fig. 8: Cross-over

Vertical bend, rising/vertical bend, falling

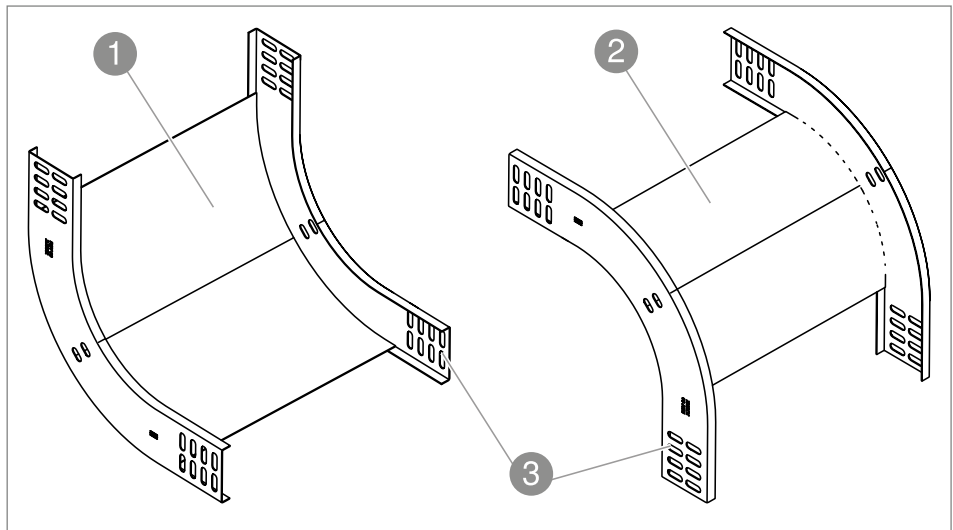


Fig. 9: Vertical bend rising/falling

No.	Designation	Function	Application
1	Vertical bend, rising Radius 180 mm	Creation of 90° bend, vertical	100–600 mm tray width
2	Vertical bend, falling Radius 120 mm	Creation of 90° bend, vertical	100–600 mm tray width
3	Connector perforation	Fastening material retainer	100–600 mm tray width

Tab. 2: Overview of vertical bends

Adjustable bend element, vertical

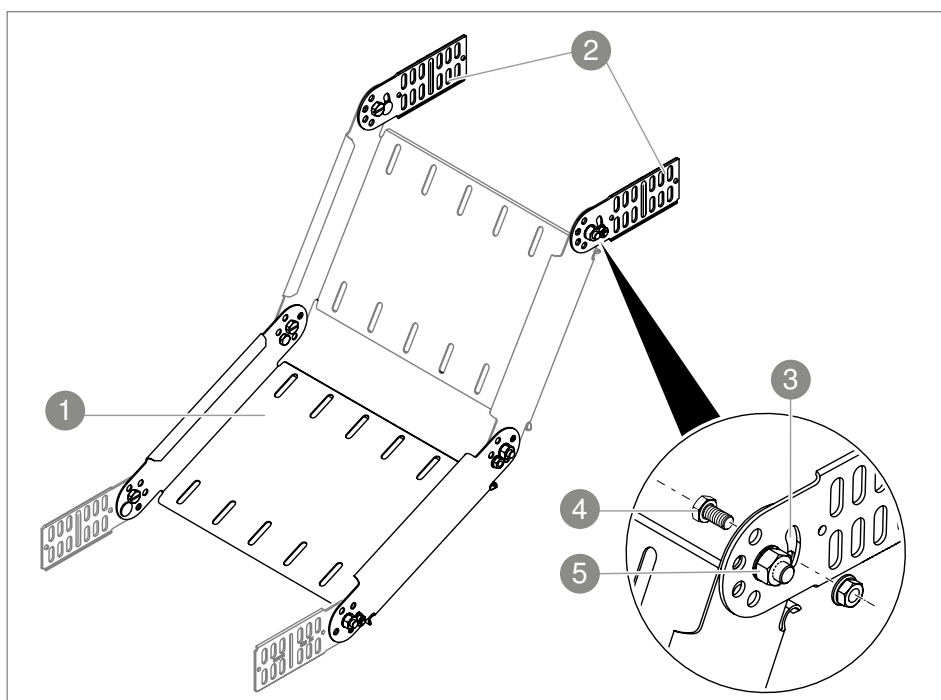


Fig. 10: Adjustable bend elements for height offset

No.	Designation	Function	Application
1	Adjustable bend element	Height offset compensation Creation of vertical bends with flexible radii	100–600 mm tray width
2	Half adjustable connectors	Connection of adjustable bend element with cable tray	100–600 mm tray width
3	Curved slot	Variable angle adjustment	
4	SKS M securing screw	Angle fixing	
5	SKS hinge screw M8x 16	Fastening of adjustable bend element	

Tab. 3: Overview of vertical bends

5.2.2 Cover for cable trays

Covers for cable trays are available without fastening material or with pre-mounted turn buckles.

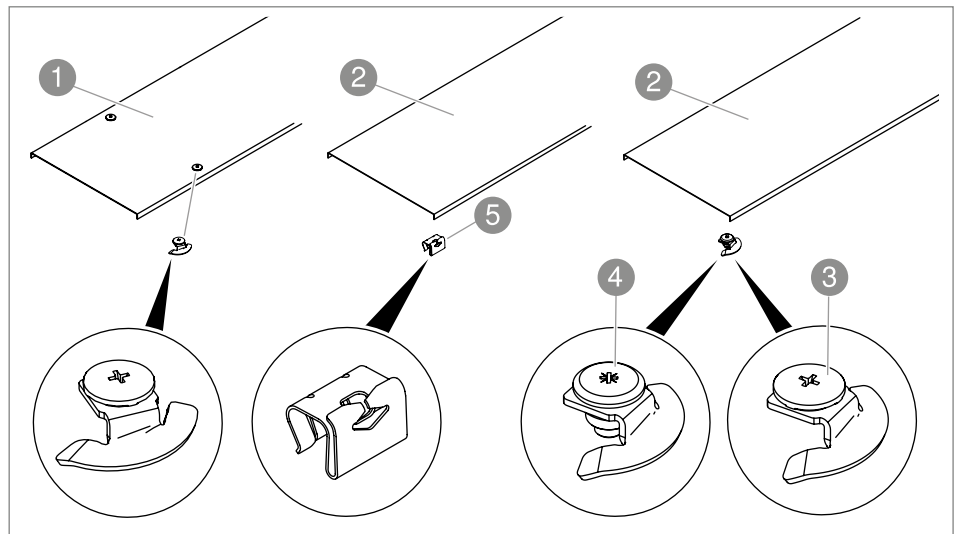


Fig. 11: Covers with fastening material for cable trays

No.	Designation	Function	Application
1	Cover with pre-mounted turn buckles	Protection against weathering and dirt	100–600 mm tray width
2	Cover, unperforated	Protection against weathering and dirt	100–600 mm tray width
3	DRL H turn buckle	Cover fastening, mounting on the cover with rivets	Perforated and unperforated covers
4	DRL H S turn buckle	Cover fastening, mounting on the cover with screws	Perforated and unperforated covers
5	DK DRLU cover clamp	Cover fastening, mounting on the cover with clamps	Perforated and unperforated covers

Tab. 4: Overview of covers and fastening material

5.2.3 Cover for fittings

Covers are available for 45° and 90° bends, angle-adjustable bends, T pieces, add-on tees and cross-overs. Depending on the version, the fitting cover is mounted on the cable tray with turn buckles pre-mounted at the factory and is additionally held by the support of the path cover or held exclusively by the path cover.

45° and 90° bend cover

One pre-mounted turn buckle each.

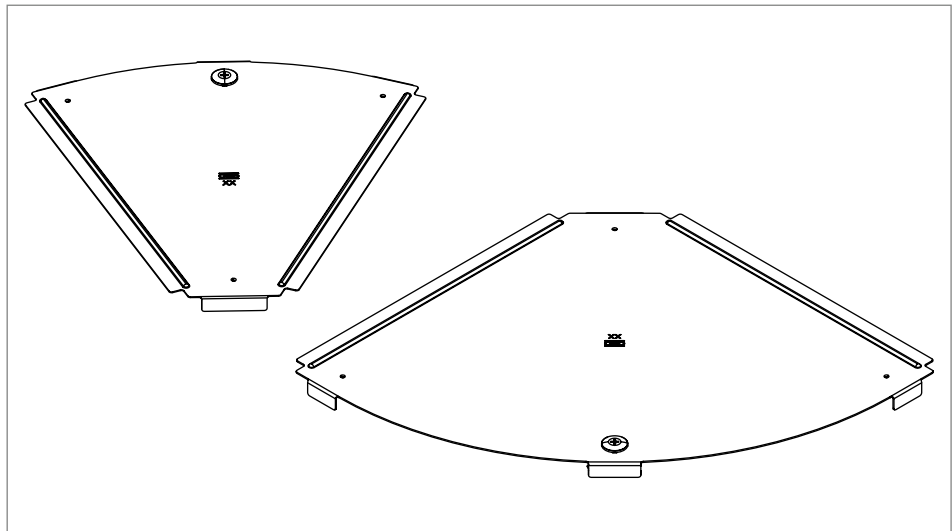


Fig. 12: 45° and 90° bend cover

Adjustable bend cover

With two pre-mounted turn buckles.

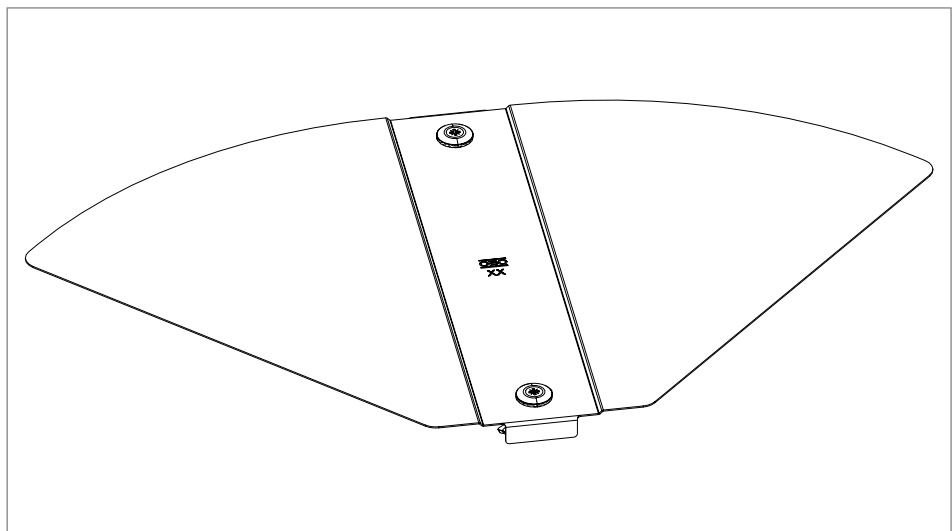


Fig. 13: Adjustable bend cover

Cover, add-on tee

Add-on tee without pre-mounted turn buckle.

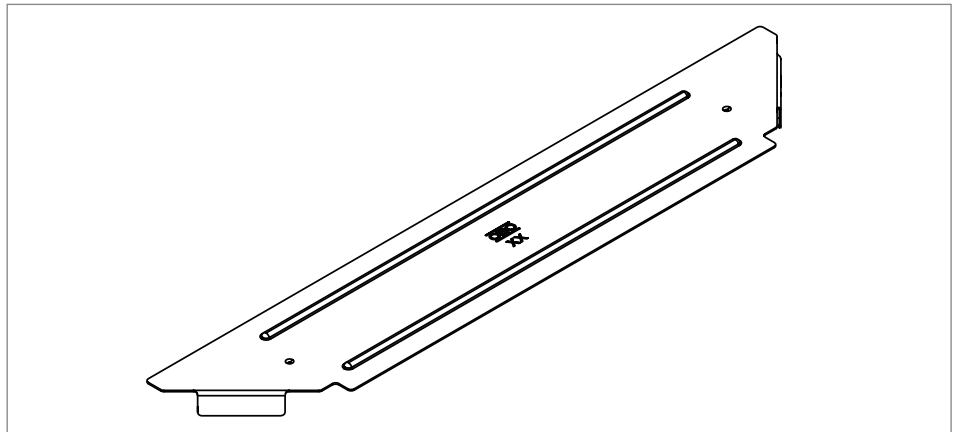


Fig. 14: Cover add-on tee

Cover, T piece

T piece with one pre-mounted turn buckle.

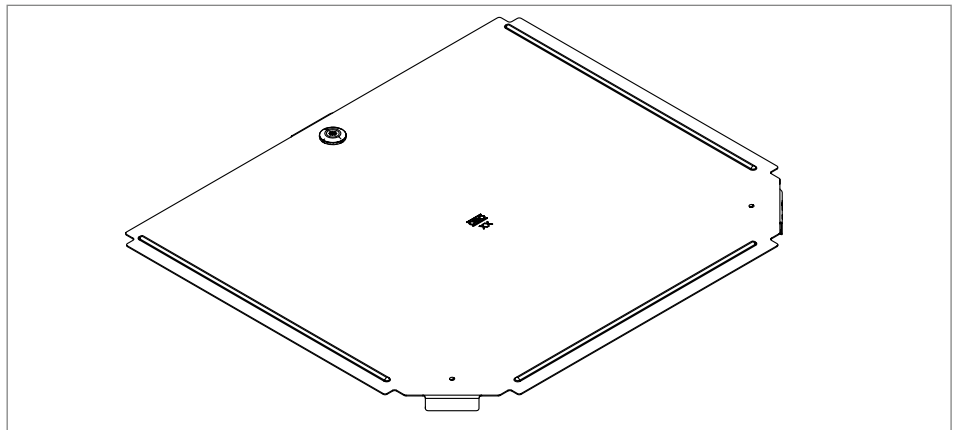


Fig. 15: Cover T piece

Cover, cross-over

Without pre-mounted turn buckle.

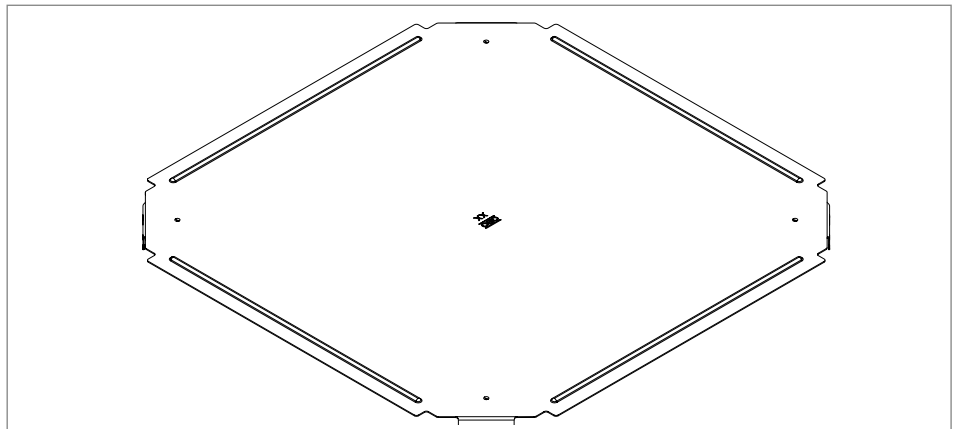


Fig. 16: Cover, cross-over

5.2.4 Accessories

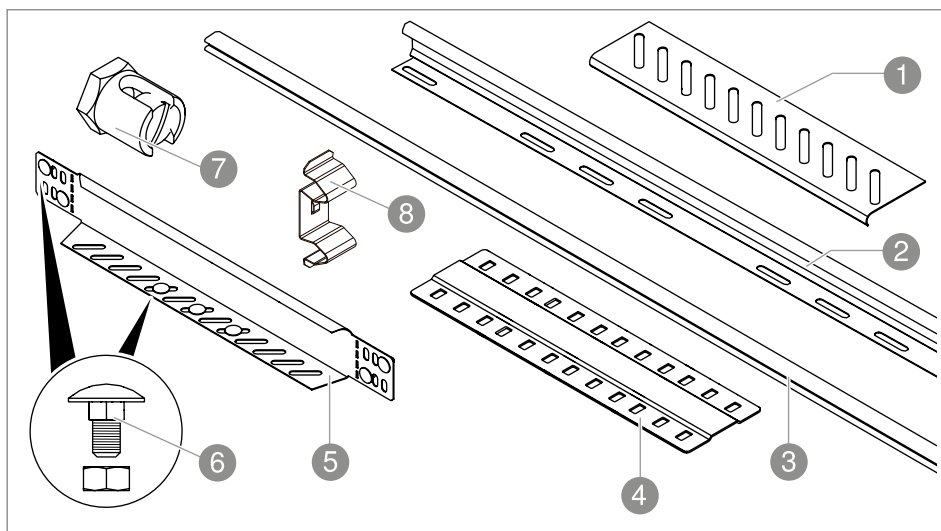


Fig. 17: Accessories

No.	Designation	Function	Application
1	Bottom end plate	Creation of cable exit	All tray types
2	TSG barrier strip	Separation of cables of different voltages or functions	All tray types
3	Edge protection strip	Cover of cut cable tray edges, protection against cable damage	All tray types
4	Joint plate	Connection of cable tray bases at the joint	All tray types
5	Reducer profile/end closure	Cable tray width reduction/end of cable tray	All tray types
6	Truss-head bolt FRS	Fastening of fitting to cable tray	All tray types
7	Earthing terminal	Creation of equipotential bonding	All tray types
8	Double clamp	Fastening of fitting to cable tray	All tray types, except side height 35 mm

Tab. 5: Overview of accessories

6 Installation

The mounting of the support systems for the cable tray systems takes place according to the local circumstances and the planned loads. The mounting of the different support systems is shown in special mounting instructions, see „1.6 Applicable documents“ on page 6.

The mounting drawings of the screw-on cable tray systems show either perforated or unperforated cable trays. All the connectors, fittings and accessories shown can be mounted on both perforated and unperforated cable trays. If unperforated cable trays are cut, then the connector perforation must be re-drilled.

When mounting the FRS truss-head bolts and SKS hinge screws made of steel or stainless steel from OBO Bettermann, the following tightening torque must be applied:

Thread	Tightness class 5.6	Tightness class 8.8
M6	4.80 Nm	11.30 Nm
M8	11.60 Nm	27.30 Nm

Tab. 6: Torques for steel screws from OBO Bettermann

Thread	Resistance grade 70	Resistance grade 80
	Friction coefficient 0.14	Friction coefficient 0.14
M6	9.70 Nm	12.90 Nm
M8	23.60 Nm	31.50 Nm

Tab. 7: Torques for stainless steel screws from OBO Bettermann

6.1 Cutting the cable tray

Cut the cable trays according to the local circumstances.

CAUTION

Risk of cutting!

During cutting work, metal chips or sharp cut edges can cause injuries to eyes and hands!

- Wear protective glasses and gloves.
- Deburr cut edges.

1. Cut cable trays to the desired length, e.g. using an angle grinder.
2. Deburr cut edges.

Note!

If cable trays are cut, the corrosion protection at the cut edges must be renewed with zinc spray, e.g. type ZSF zinc touch-up spray, item no. 2362970 or type ZABF zinc touch-up paint, item no. 2362979.

6.2 Pre-drilling unperforated cut cable trays

If unperforated cable trays are cut, then appropriate drill holes must be drilled for the straight connections and for the mounting of fittings and joint bars.

The number of drill holes is dependent on the height and width of the cable trays. Recommendation: For side height 60 mm = 4 screws per connector; for width 300 mm = 3 screws per joint plate.

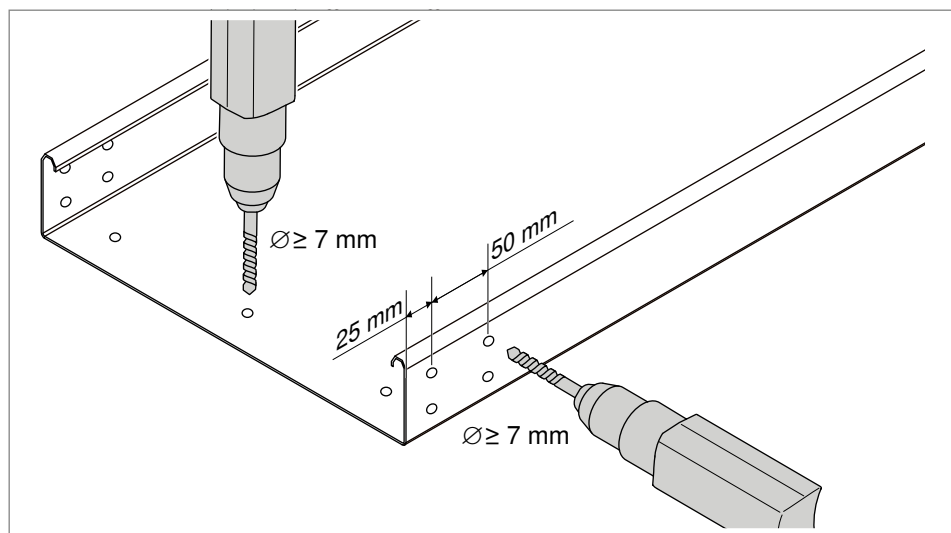


Fig. 18: Drilling a cut, unperforated tray

1. Drill the drill holes with $\varnothing \geq 7 \text{ mm}$ in the tray rail and tray base.

6.3 Mounting the joint plate

To avoid transverse bending at higher loads, a joint plate must be used for tray widths of 400 mm or more in the joint area of the cable trays that are to be connected. Up to a tray width of 300 mm, the mounting of the joint plate is optional. The joint plate is mounted after the connectors have been mounted. The joint plate is fastened with FRS M6 truss-head bolts and combination nuts.

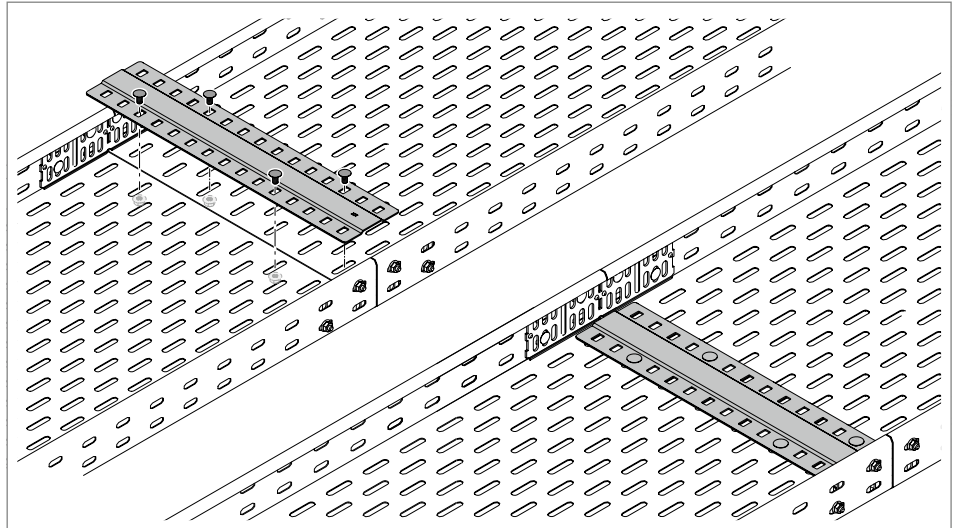


Fig. 19: Mounting the joint plate

1. Place the joint plate centrally on the joint area of the cable trays.
2. Screw on the joint plate.

6.4 Applying the edge protection strip

To avoid damage to cables, edge protection strip is attached at cut edges of cable trays, if no joint plates or bottom end plates are to be mounted.

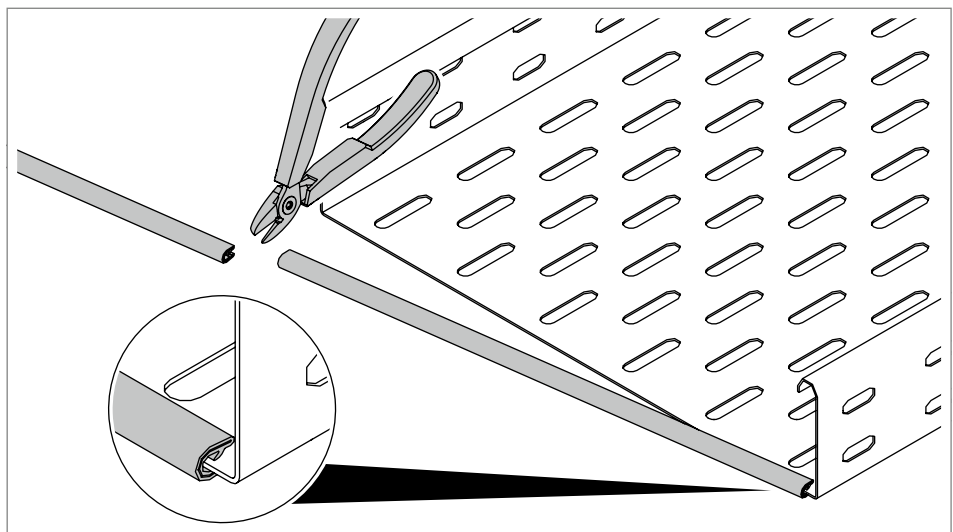


Fig. 20: Applying edge protection strip

1. Cut the edge protection strip to size.
2. Clamp the edge protection strip to the edge of the cable tray.

6.5 Connecting cable trays

Cable trays are connected in a straight or angled direction using various connectors. Straight connectors connect cable trays lengthwise. Angle connectors can be used to route trays horizontally at angles of different sizes or to create corners. Adjustable connectors create rises or drops.

ATTENTION

Risk of damage!

Screws can damage cables. Always pass fastening screws through the rail from the inner side of the cable tray and secure with combination nuts on the outer side of the cable tray.

6.5.1 Creating a straight connection

Screwless straight connection with RV straight connector set

The straight connector set contains two straight connectors and one joint plate and is mounted without screws.

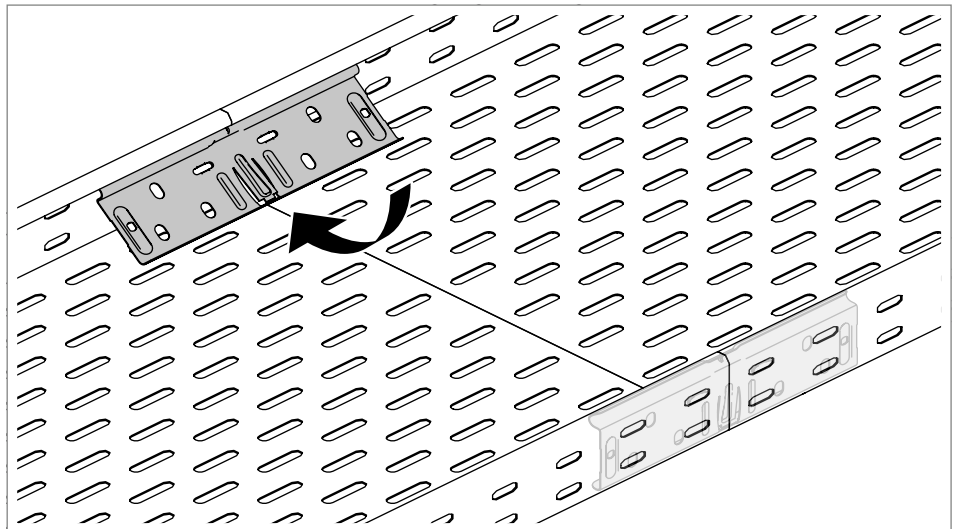


Fig. 21: Inserting the RV 607 straight connector

1. Insert the straight connectors on the inner side of the rail and press them in.

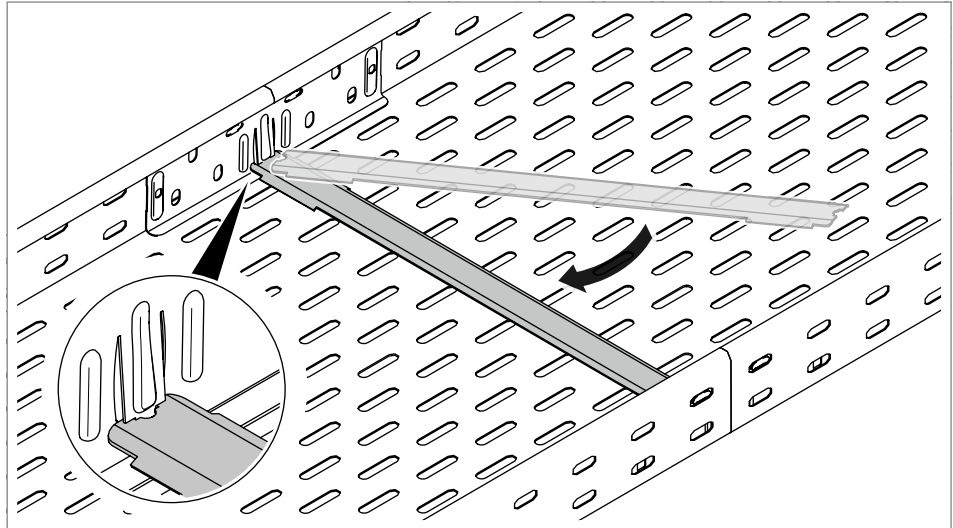


Fig. 22: Inserting the joint plate

2. Clamp the joint plate between the straight connectors.

Straight connection with RLVK straight connector

The RLVK straight connector is used with the cable tray heights 35 and 60 mm. The connector is fastened with FRS M6 truss-head bolts and combination nuts.

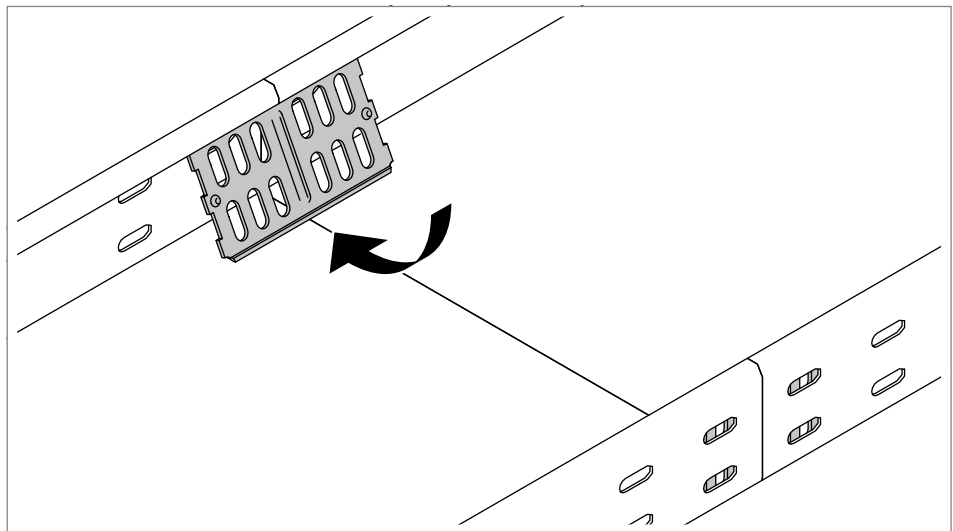


Fig. 23: Inserting the RLVK straight and angle connector

1. Insert the straight connector into the inside of the rail.

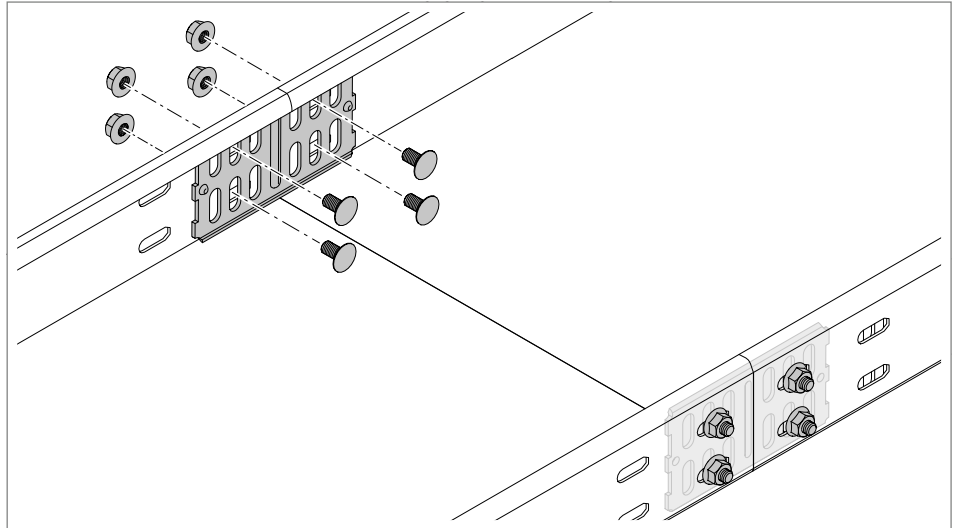


Fig. 24: Screwing on the RLVK straight and angle connector

2. Screw on the straight connector.

Straight connection with RLVL straight connector

The RLVL straight connector is used with the cable tray heights 85 and 110 mm. The connector is fastened with FRS M6 truss-head bolts and combination nuts.

To avoid transverse bending at higher loads, a joint plate must be used for tray widths of 400 mm or more. Up to a tray width of 300 mm, the mounting of the joint plate is optional.

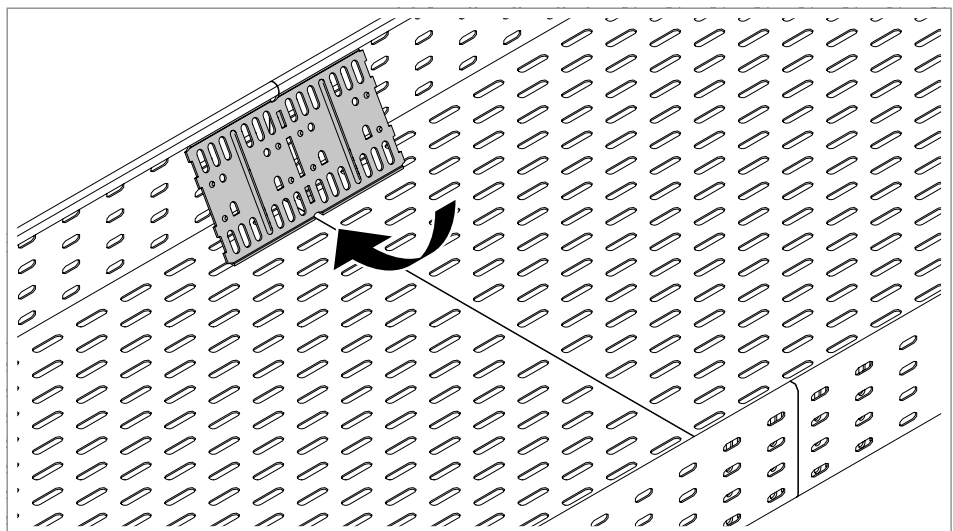


Fig. 25: Inserting the RLVL straight connector

1. Insert the straight connector into the inside of the rail.

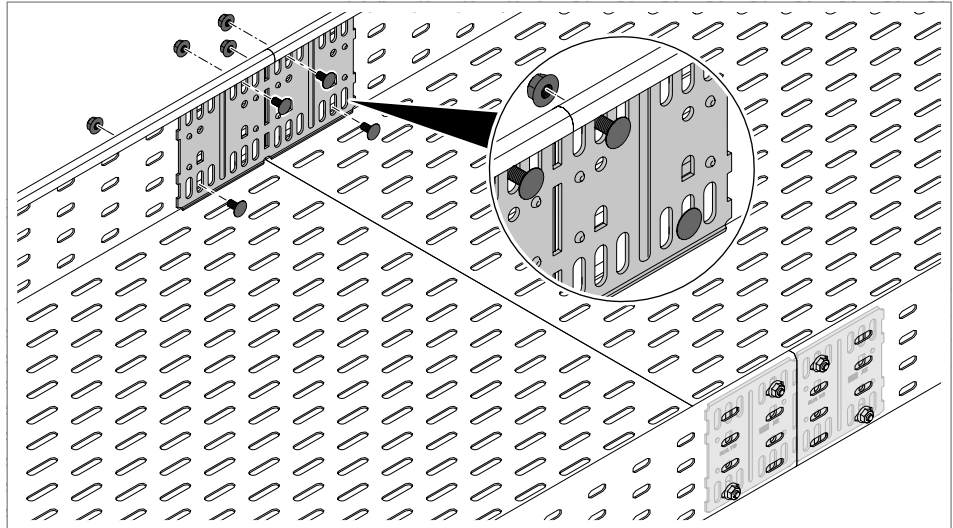


Fig. 26: Screwing on the RLVL straight connector

2. Screw on the straight connector.

Straight connection with RLVA outside straight connector

The RLVA 110 outside straight connector is used with the cable tray type SKSU 110 with a length of 6 m to enable support spacings > 4 m . The connector is screwed on with FRS M6 truss-head bolts and combination nuts.



Fig. 27: Placing the RLVA straight connector on the outside

1. Place the straight connector on the outer side of the rail.

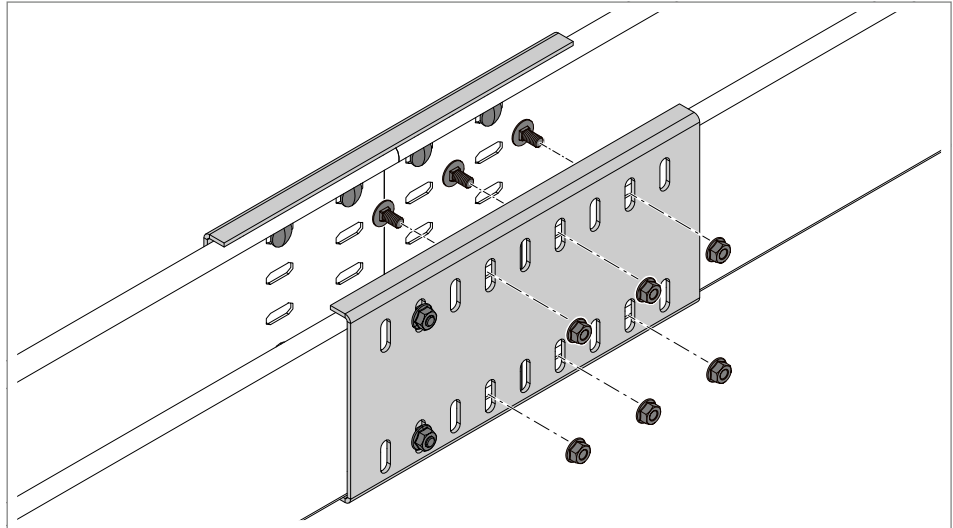


Fig. 28: Screwing on the RLVA straight connector

2. Screw on the straight connector.

Straight connection with RWVL straight and angle connector

The RWVL straight and angle connector is used with the cable tray heights 35 and 60 mm. The connector is screwed on with FRS M6 truss-head bolts and combination nuts.

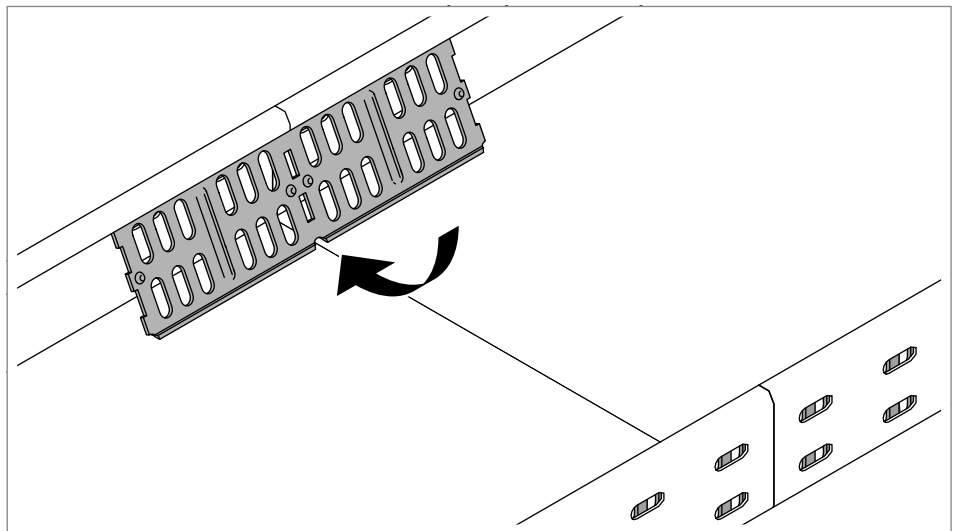


Fig. 29: Inserting the RWVL straight and angle connector

1. Insert the straight and angle connectors on the inner sides of the rail.

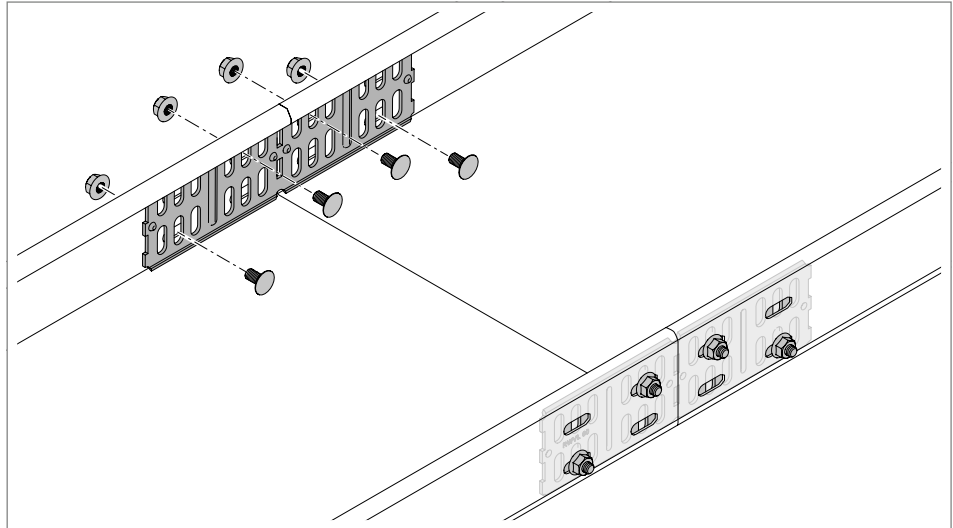


Fig. 30: Screwing on the RWVL straight and angle connector

2. Screw on the RWVL straight and angle connector.

6.5.2 Creating an angled connection

Angled connection with RWVL straight and angle connector

The RWVL straight and angle connector is used with the cable tray heights 35 and 60 mm. The connector is screwed on with FRS M6 truss-head bolts and combination nuts.

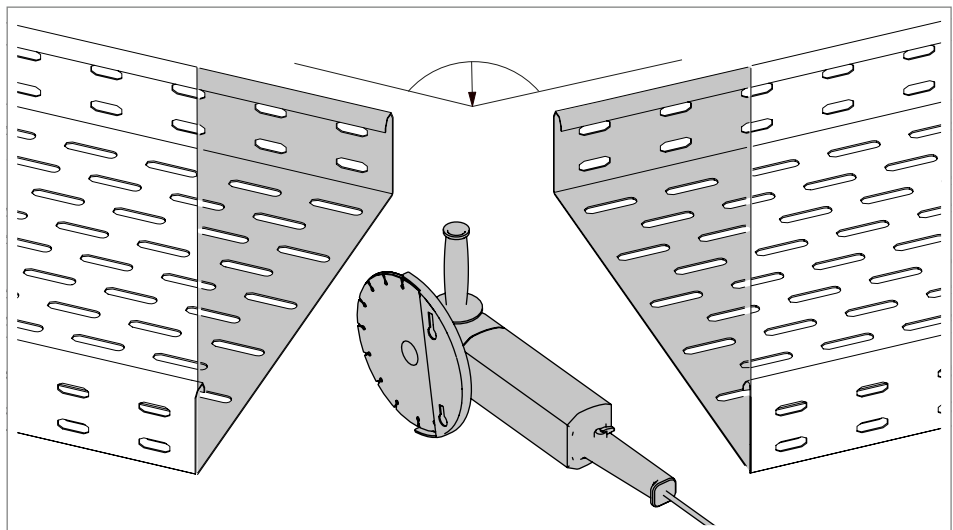


Fig. 31: Cutting the cable trays to create angles

1. Measure the angle and draw it onto the cable trays accordingly.
2. Cut the cable trays with an angle grinder.

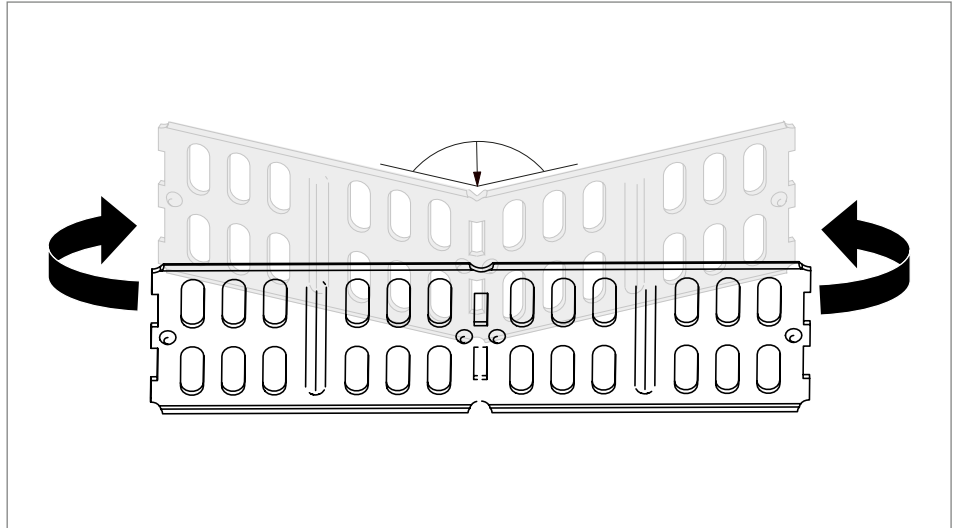


Fig. 32: Bending the RWVL straight and angle connector

3. Bend the straight and angle connector into the desired angle.

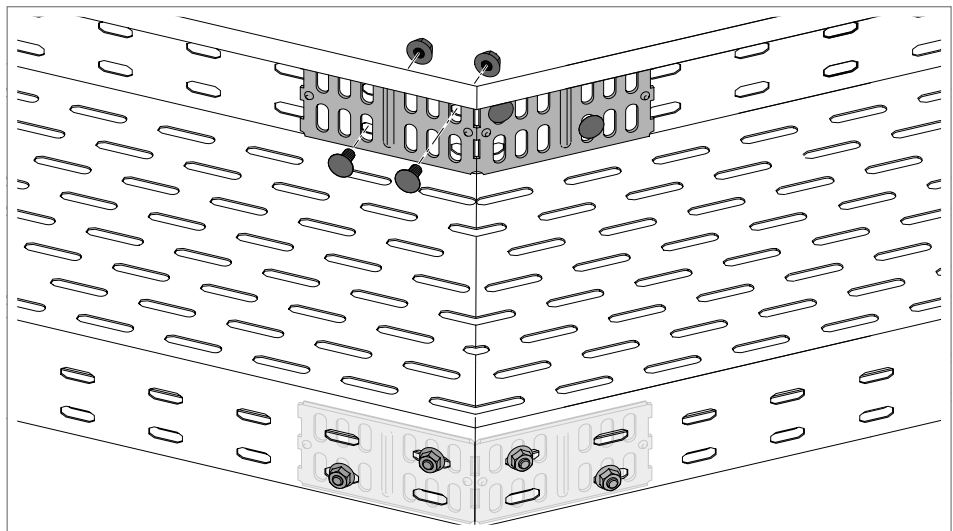


Fig. 33: Screwing on the RWVL straight and angle connector

4. Insert the straight and angle connector on the inner sides of the rail.
5. Screw on the straight and angle connector.

T branch with WKV angle connector

The WKV angle connector is mounted to create a tee with rounded corners. The WKV angle connector is used with the cable tray heights 35 and 60 mm. The connector is screwed on with FRS M6 truss-head bolts and combination nuts.

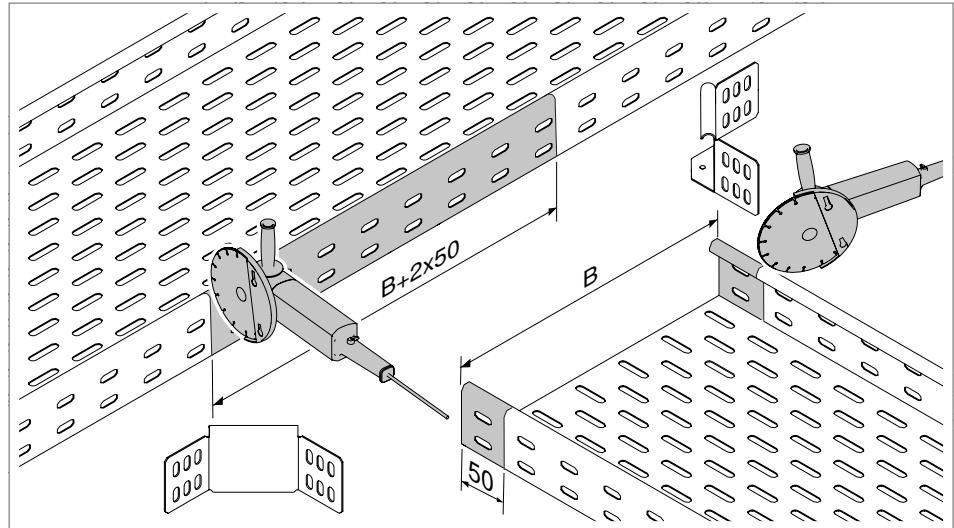


Fig. 34: Notching out the cable tray rails for the WKV angle connector

1. Notch out the cable tray rail with the dimension = $W + 2 \times 50$ mm.
2. Notch out the second cable tray rail on both sides by 50 mm.

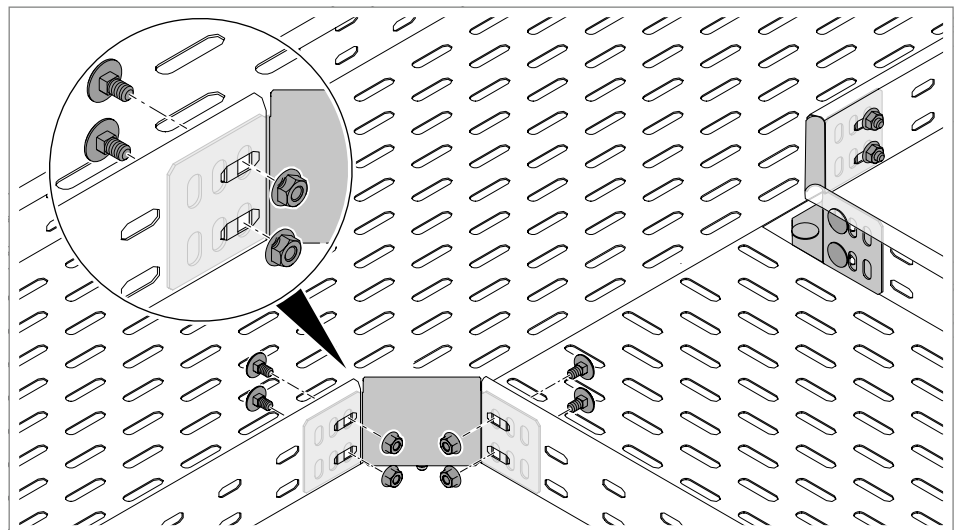


Fig. 35: Mounting the WKV angle connector

3. Insert the straps of the angle connector in the inner sides of the rail.
4. Screw on the angle connector.

90° internal corner with REV corner connector

The REV corner connector is mounted to create 90° internal corners with a large radius, allowing the maintenance of the minimum cable bend radii. The REV corner connector is used with the cable tray heights 35, 60 and 110 mm. The connector is screwed on with FRS M6 truss-head bolts and combination nuts.

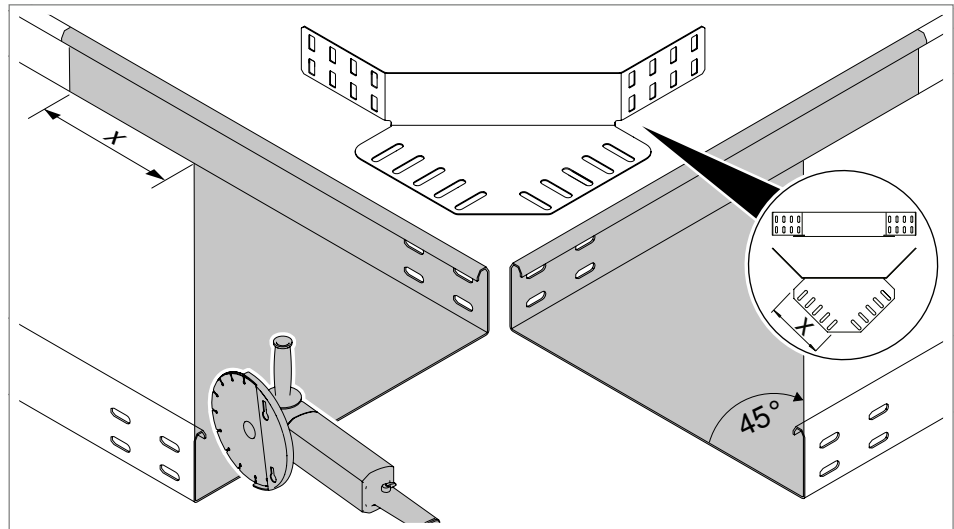


Fig. 36: Cutting cable trays for the REV corner connector

1. Cut the cable trays at a 45° angle and notch out the cable tray rails with the dimension $x = 100$ mm.

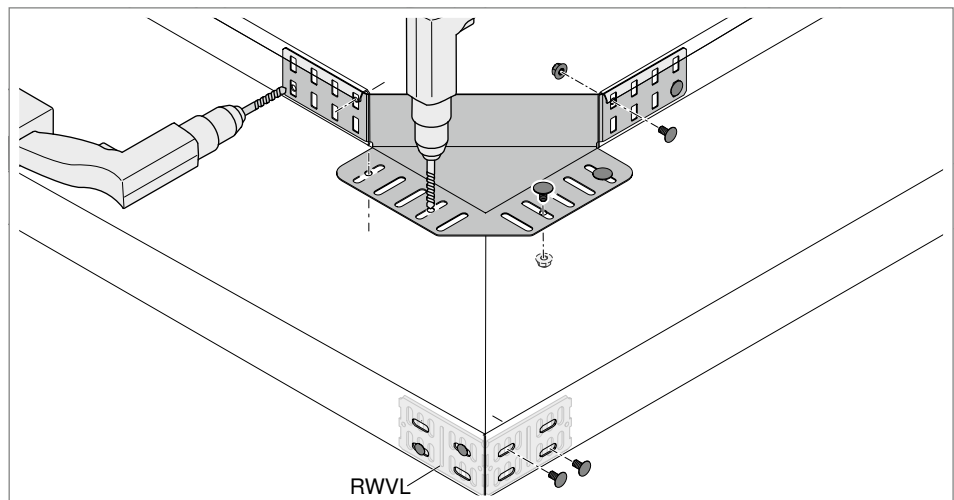


Fig. 37: Mounting the REV corner connector

2. Insert the straps of the corner connector in the inner sides of the rail.
3. Pre-drill the cable tray.
4. Screw on the corner connector.
5. Insert an RWVL straight and angle connector in the external corner on the inner sides of the rail.
6. Screw on the RWVL straight and angle connector.

6.5.3 Creating a vertical connection

The RGV adjustable connector is mounted to create vertical connections of angles of up to 90° for rising or falling sections. The RGV adjustable connector is used with all cable tray heights. In addition, bottom end plates are mounted to avoid cable damage due to sharp edges. Connectors and bottom end plates are screwed on with FRS M6 truss-head bolts and combination nuts.

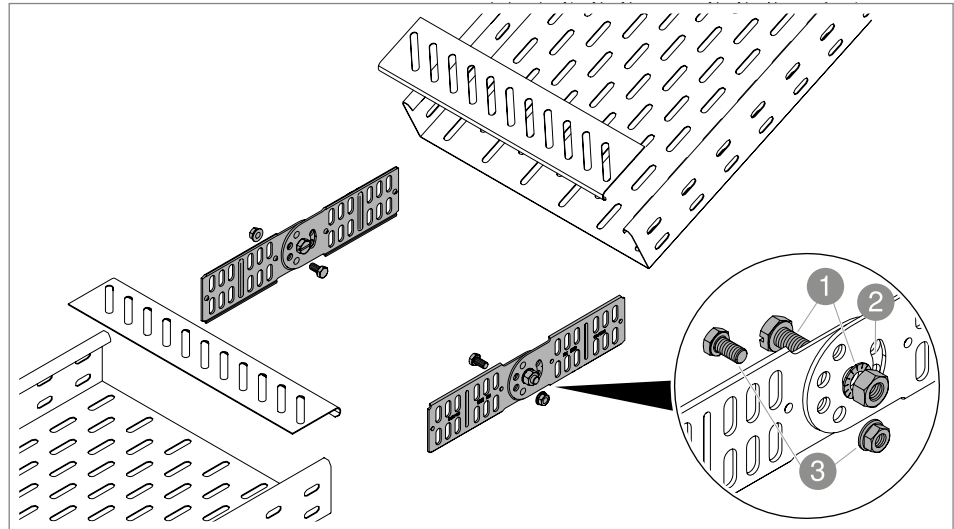


Fig. 38: RGV adjustable connector and bottom end plates

- ① SKS hinge screw M8x16 mm
- ② Long slot
- ③ SKS M6 securing screw

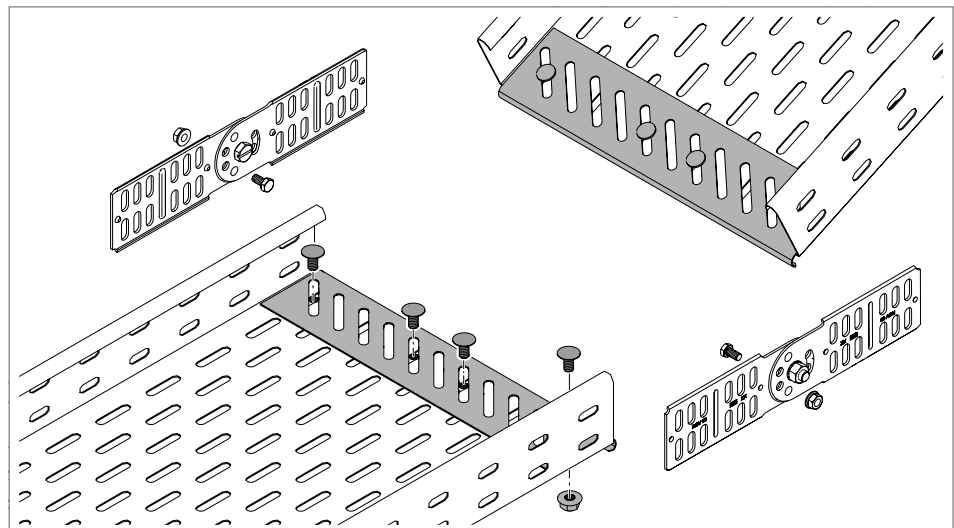


Fig. 39: Screwing on the bottom end plates

1. Pre-drill unperforated cable trays for the mounting of the bottom end plates.
2. Screw the bottom end plates to the ends of the cable trays.

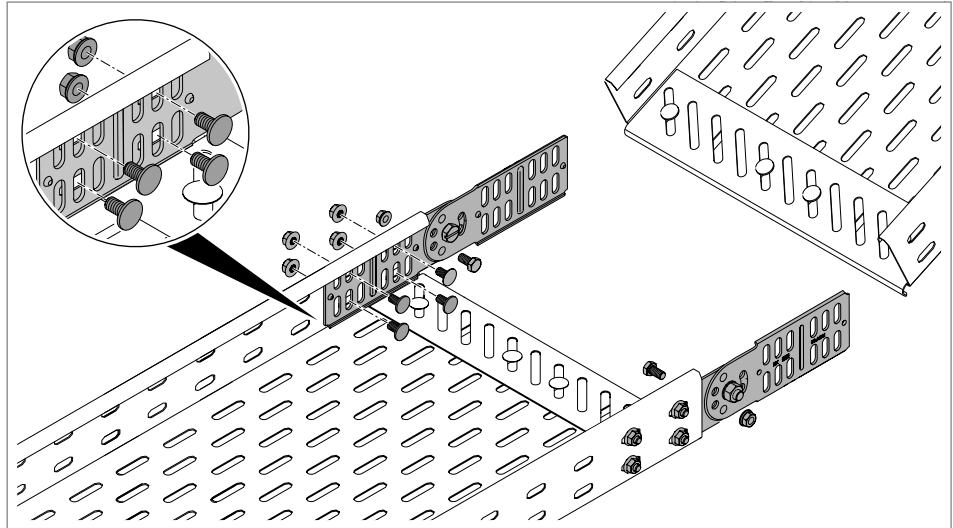


Fig. 40: Screwing the RGV adjustable connector onto the cable tray

3. Insert the adjustable connector in the inner sides of the rail.
4. Screw on the adjustable connectors.

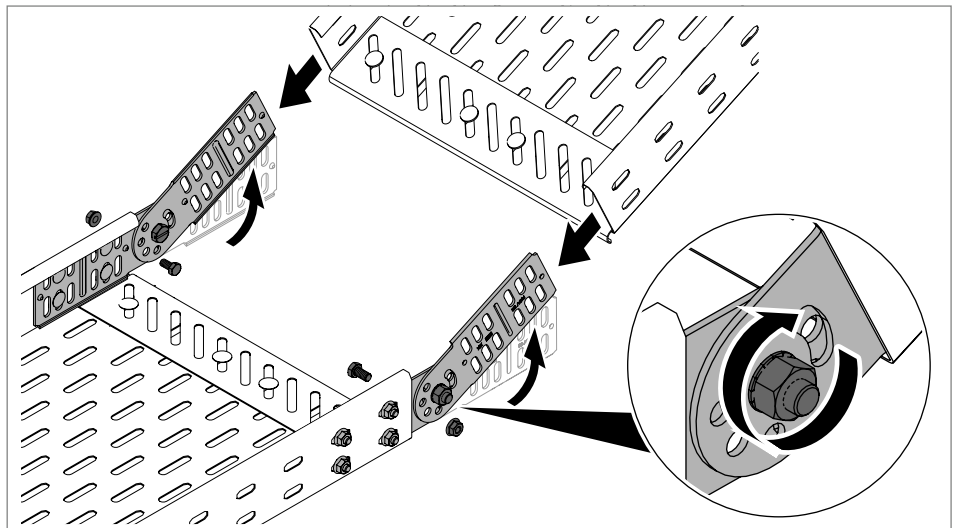


Fig. 41: Tightening the hinge screw

5. Adjust the angle on the adjustable connectors and fix with a hinge screw.
6. Push the second cable tray onto the adjustable connector.

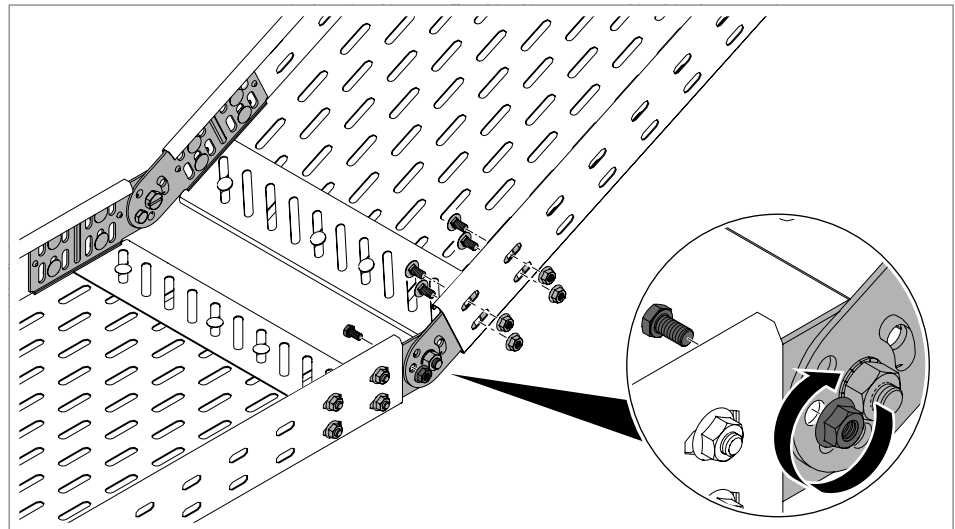


Fig. 42: Tightening the locking screw

7. Screw on the adjustable connectors.
8. Screw on the locking screw in the slot or other available drill hole.

6.6 Mounting fittings

Vertical and horizontal changes of direction are created with fittings.

6.6.1 Supporting fittings

Fittings must always be supported by the support system. The mounting of the different support systems is shown in separate mounting instructions, see „1.6 Applicable documents“ on page 6.



Risk of the support system falling!

If fittings are not supported, cable loads can become too heavy, destabilising the entire support system. There is a risk of the support system falling. Depending on their width, support the fittings with an additional support element.

Support of fitting up to 300 mm width

At a width of up to 300 mm, one cable tray support at a spacing of 250–300 mm from the edge of the fitting is sufficient.

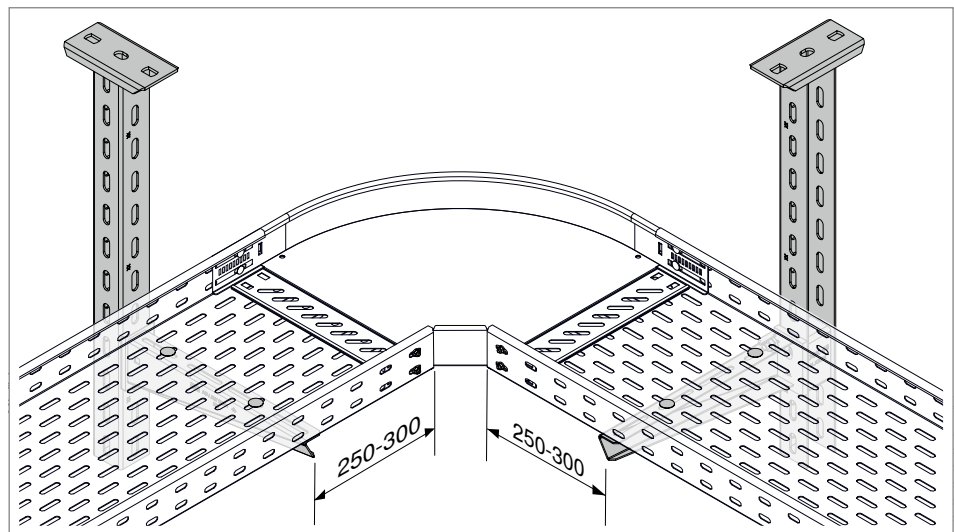


Fig. 43: Example of support for 90° bend fitting, 300 mm width

Support the fitting with a support structure at a distance of 250–300 mm from the edge.

Support of fitting ≥ 400 mm width

At a width of 400 mm or more, one cable tray support is mounted at a spacing of 250–300 mm from the edge of the fitting. At a width of 400 mm, a support element must additionally be mounted under the fitting when the system is fully assigned. With fittings of a width of > 400 mm, an additional support element must always be mounted under the fitting.

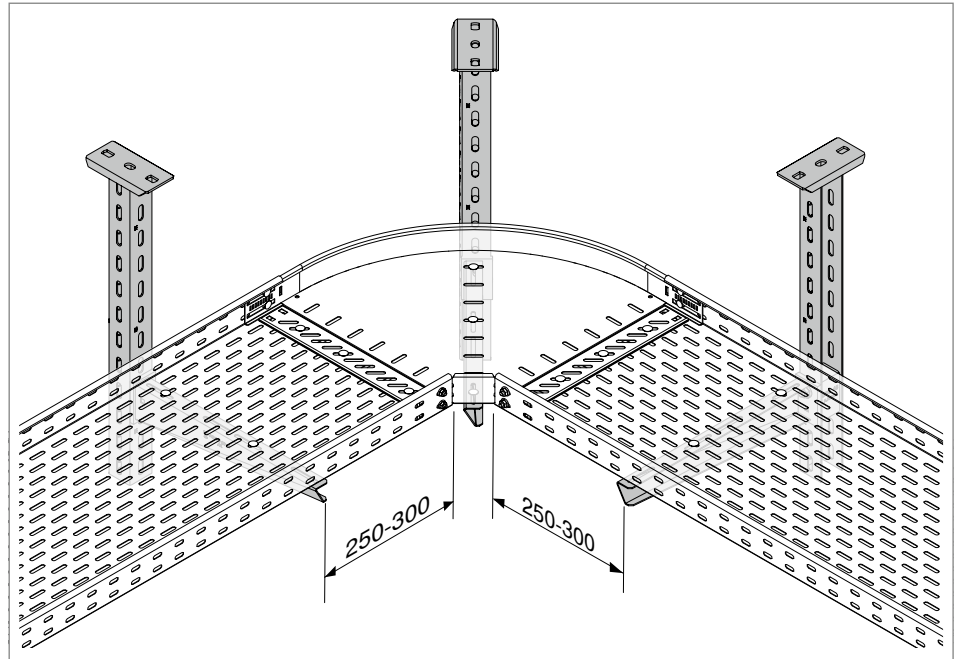


Fig. 44: Example of support for 90° bend fitting, 400 mm width

1. Support the fitting with a support structure at a distance of 250–300 mm from the edge.
2. Mount an additional support element under the fitting.

6.6.2 Mounting fitting on T piece, as example

To create branches or angles for horizontally laid cables, fittings such as 45° bends, 90° bends, angle-adjustable bends, T pieces, cross-overs and add-on tees are mounted. The fittings are available in widths of 100–600 mm.

The fittings are fastened to the cable tray rail either without tools with double clamps (from tray height 60 mm) or with truss-head bolts and combination nuts. Both mounting types are possible on uncut, perforated and unperforated trays, as well as with cut, perforated trays. With unperforated, cut trays, a connection perforation must be drilled in the rail and the fittings screwed on.

This chapter shows fitting mounting for 45° and 90° bends, T pieces and cross-overs, using the example of the T piece. The mounting of the add-on tee is described in chapter „6.6.3 Mounting an add-on tee as a branch“ on page 38 and the mounting of the angle-adjustable bend is described in chapter „6.6.5 Mounting the adjustable bend“ on page 41.

Note!

A list of the recommended number of screws or double clamps for the mounting of the different fittings can be found in chapter „10.2 Amount of fastening material“ on page 84.

Fastening/clamping a fitting with double clamp

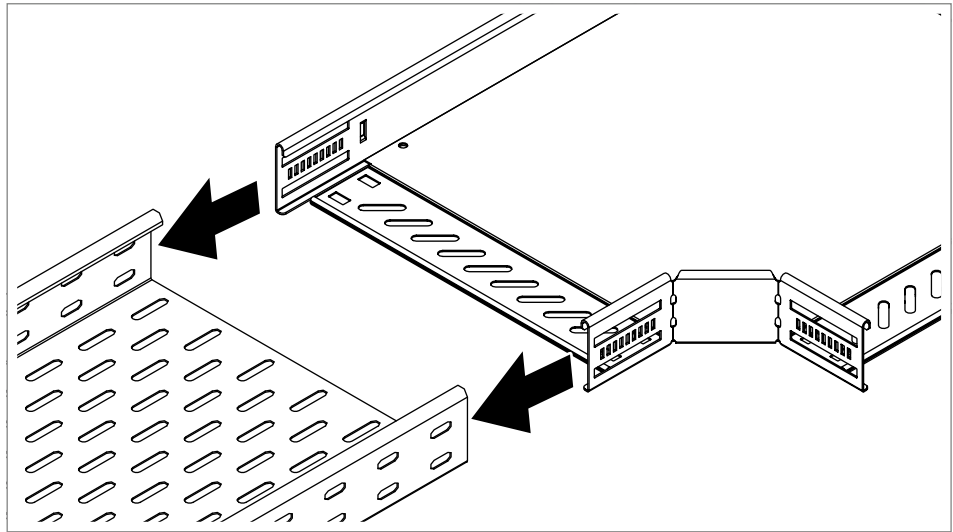


Fig. 45: Inserting a fitting

1. Push the connection straps of the fitting into the cable tray.

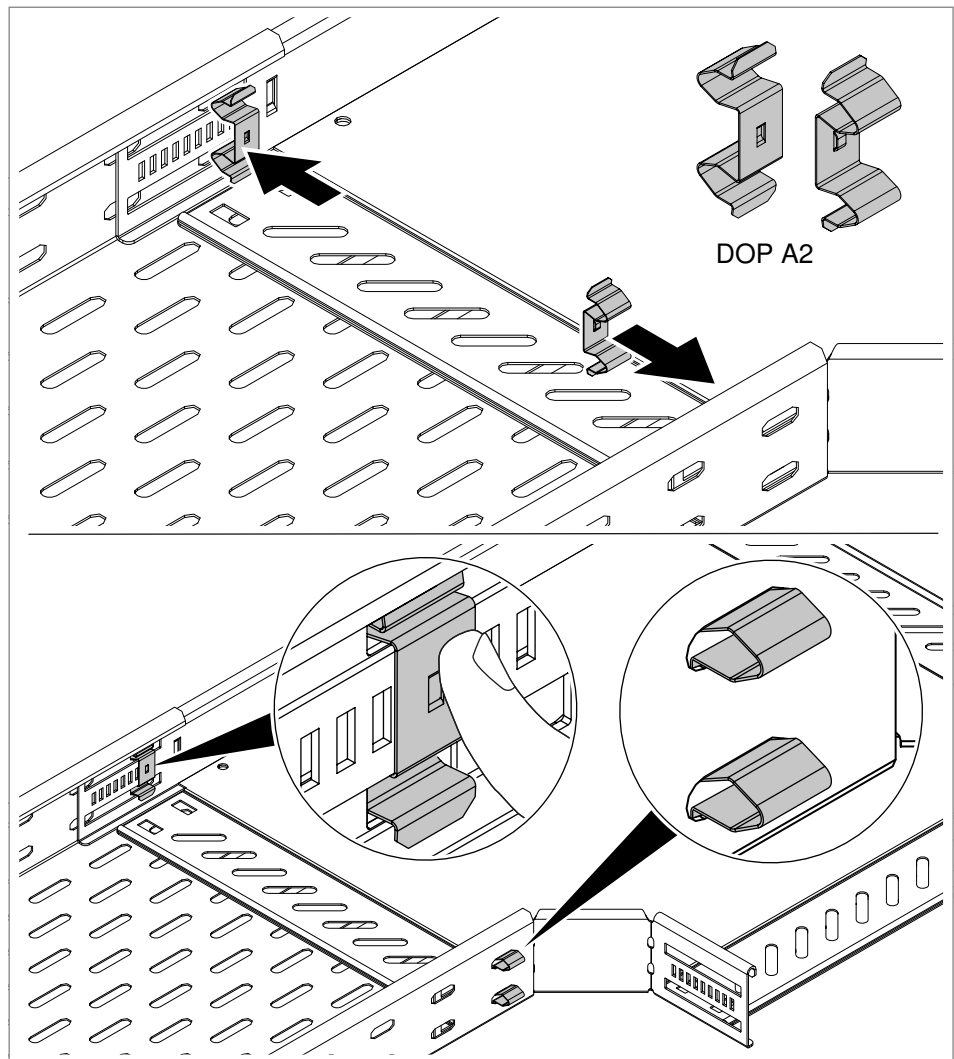


Fig. 46: Inserting the double clamp

2. Press the spring of the double clamp from the inside of the rail

through the connector perforation of the fitting and the cable tray.

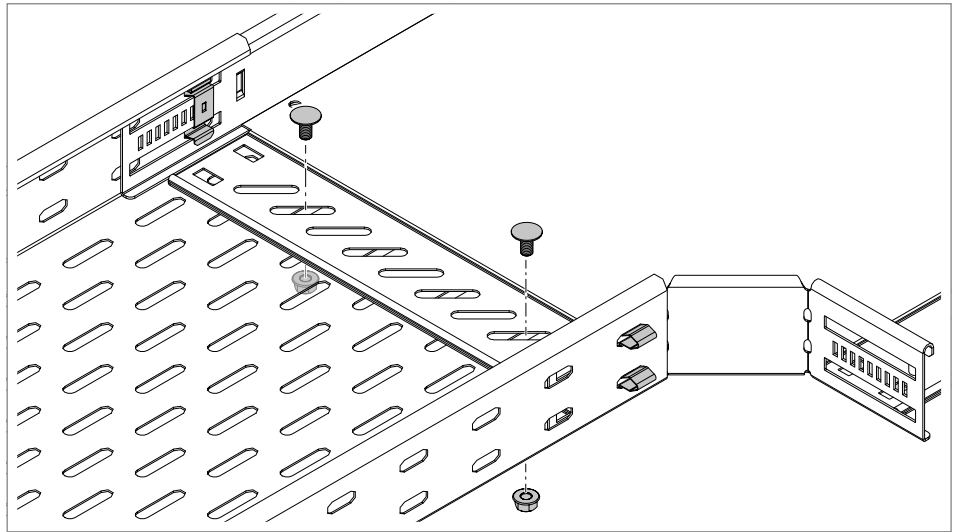


Fig. 47: Screwing on the joint plate

3. Screw on the joint plate with truss-head bolts and combination nuts.
4. Repeat steps 1 to 3 on the rest of the joints.

Note!

During the course of the instructions, the graphics illustrating the fittings only show the screw connection, even if a clamping connection is possible.

Fastening/screwing on a fitting with bolts

Fastening a fitting with bolts and combination nuts on a cut tray. The number of recommended screws is dependent on the width and height of the cable trays.

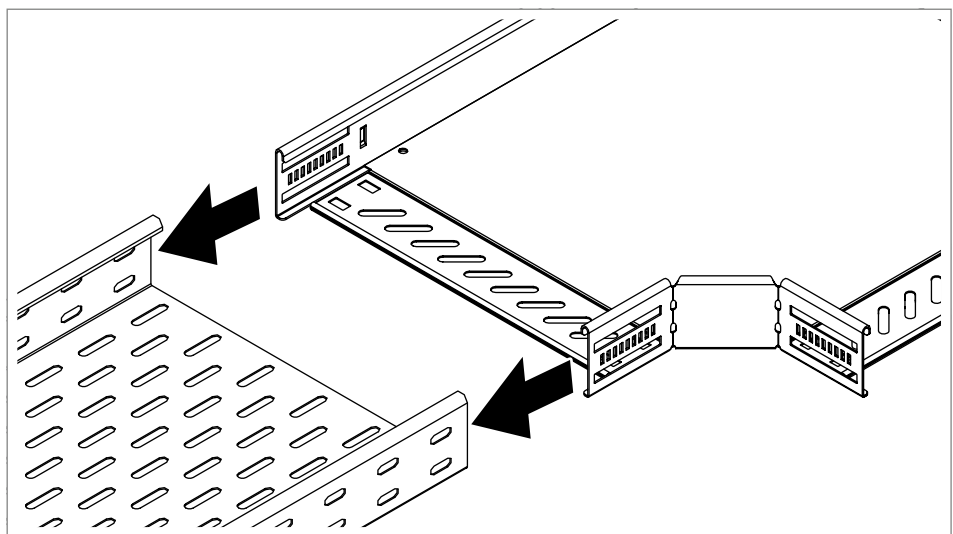


Fig. 48: Inserting a fitting

1. Push the connection straps of the fitting into the uncut ① or cut ② cable tray.

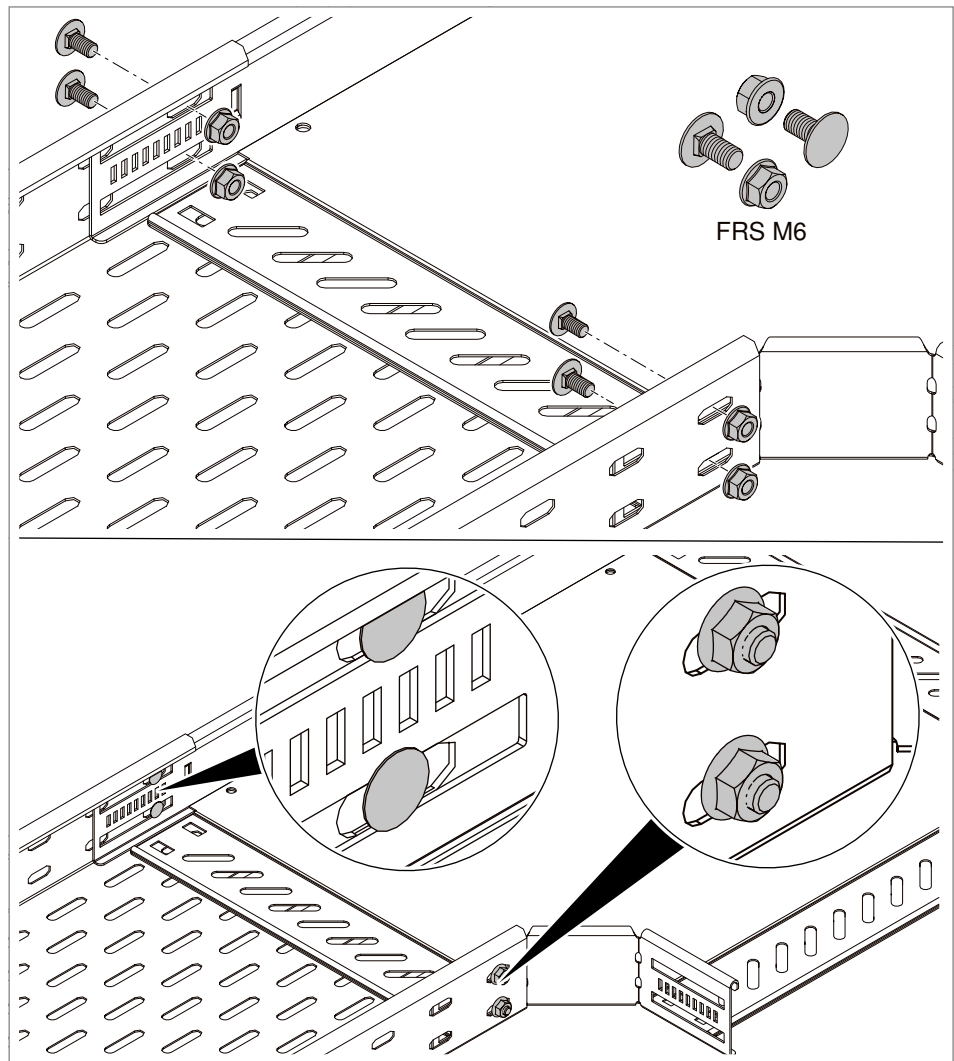


Fig. 49: Screwing on a fitting

2. Insert the truss-head bolts from the inside of the rail through the connector perforation of the fitting and the cable tray.
3. Lock the truss-head bolt with combination nuts.

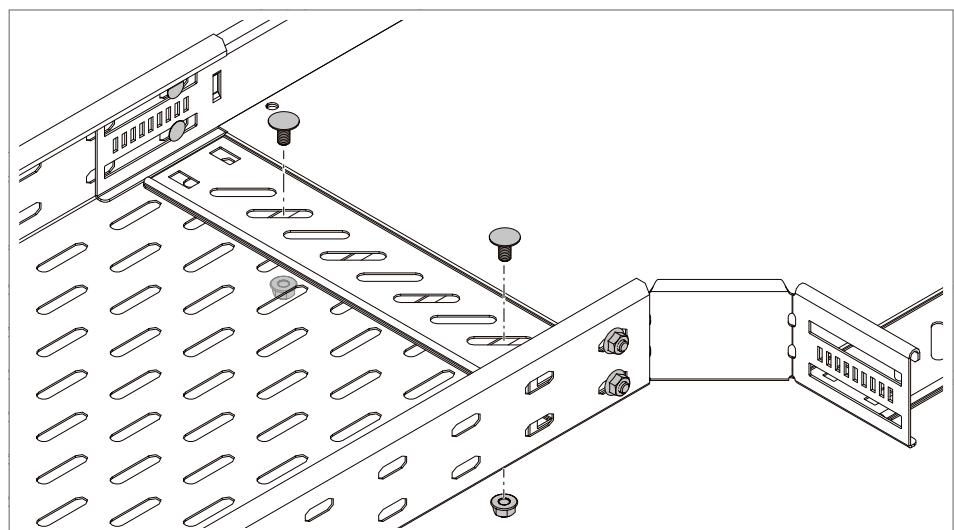


Fig. 50: Screwing on the joint plate

4. Screw on the joint plate with truss-head bolts and combination nuts.
5. Repeat steps 1 to 3 on the rest of the joints.

6.6.3 Mounting an add-on tee as a branch

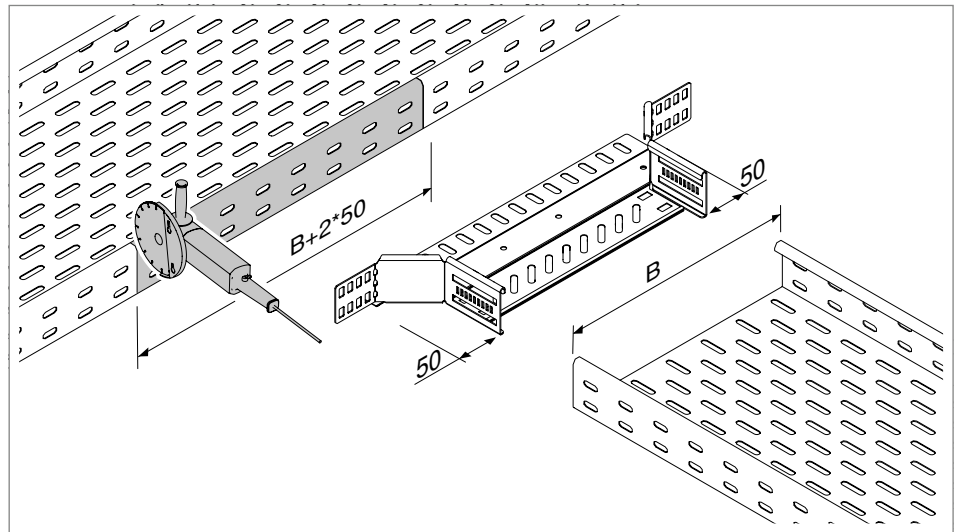


Fig. 51: Notching out a cable tray rail

1. Notch out the cable tray rail with the dimension = $W + 2 \times 50$ mm.
2. For unperforated cable trays, pre-drill the connector perforation for the add-on tee and joint plate.

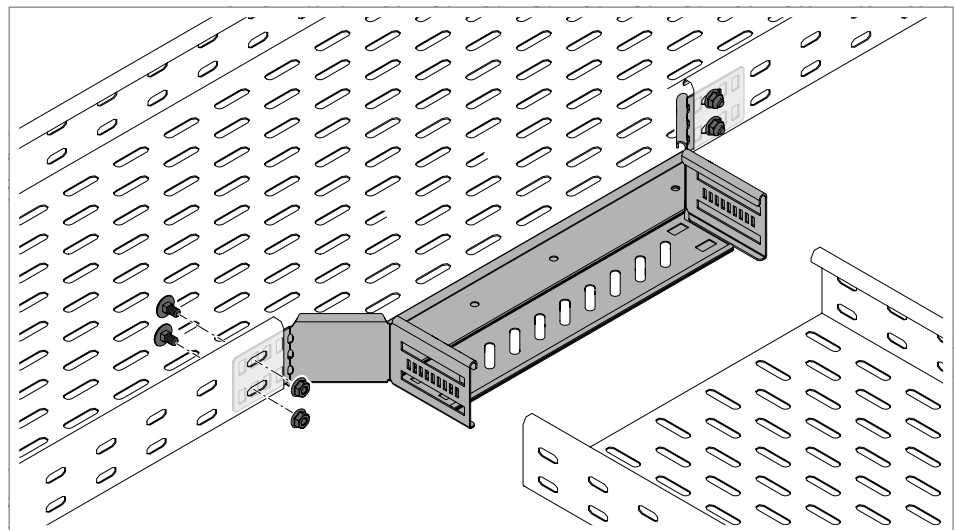


Fig. 52: Screwing the add-on tee on a continuous cable tray

3. Insert the connection straps of the add-on tee to the inner side of the notched-out cable tray rail.
4. Screw the add-on tee to the cable tray rail and cable tray base.

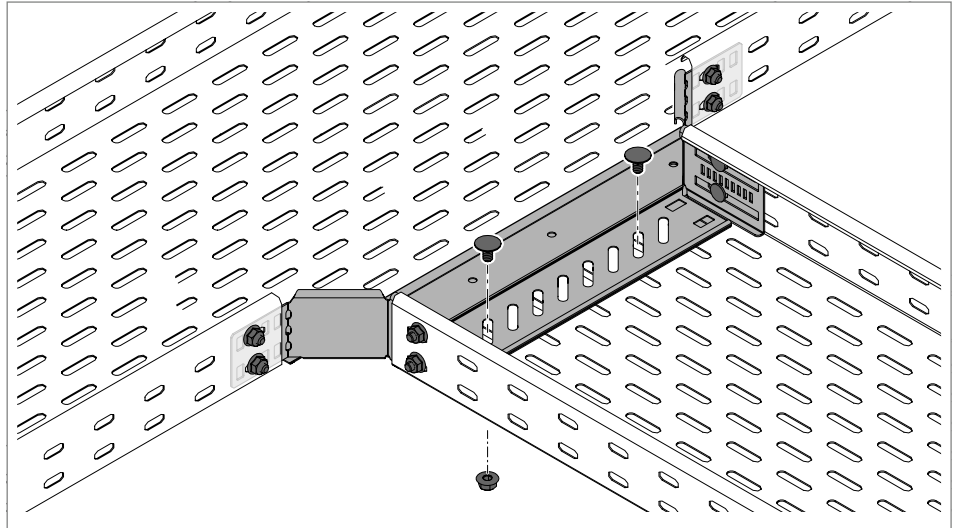


Fig. 53: Screwing the branching cable tray to the add-on tee

5. Push the branching cable tray onto the connection strap of the add-on tee.
6. Screw on the cable tray or fasten with double clamps, see „6.6.2 Mounting fitting on T piece, as example“ on page 34.

6.6.4 Mounting an add-on tee as a reduction

The add-on tee can also be used to create reductions to 100 mm narrower cable trays.

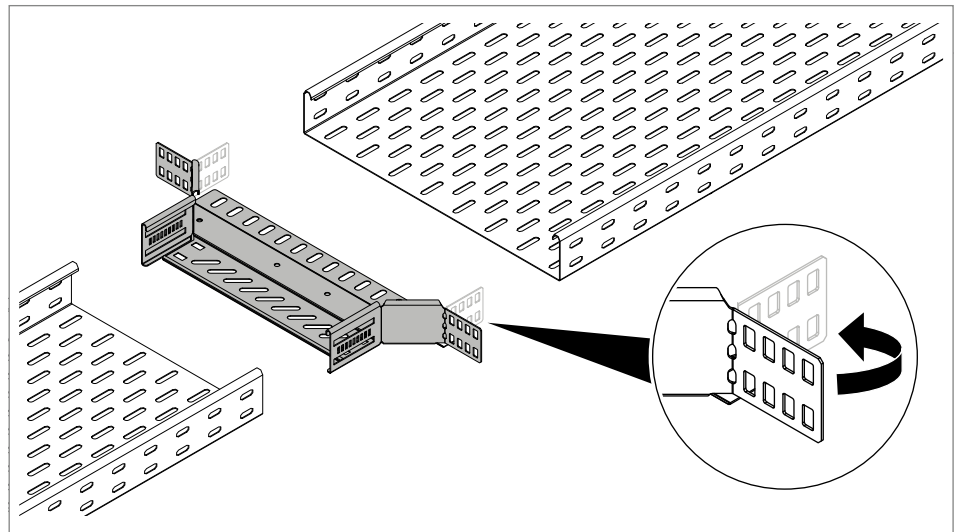


Fig. 54: Bending the connection strap

1. Bend the connection strap of the add-on tee by 90° on both sides.
2. If necessary, cut a cable tray to make a suitable connector perforation.
3. For unperforated cable trays, pre-drill the connector perforation for the add-on tee and joint plate.

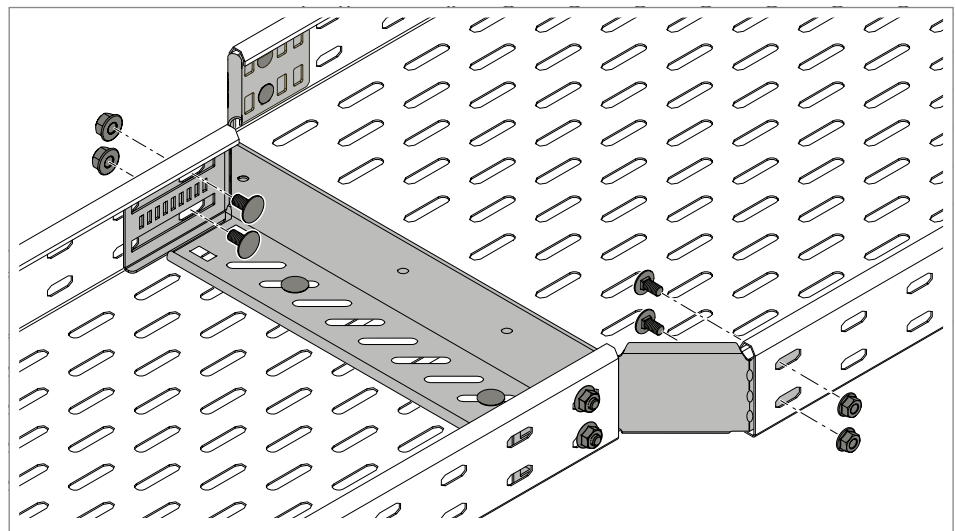


Fig. 55: Screwing an add-on tee on cable trays

4. Push the connection straps of the add-on tee into the cable trays.
5. Screw the add-on tee to the cable tray rails and cable tray base.

6.6.5 Mounting the adjustable bend

The adjustable bend is mounted to create flexible radii of 0–90°.

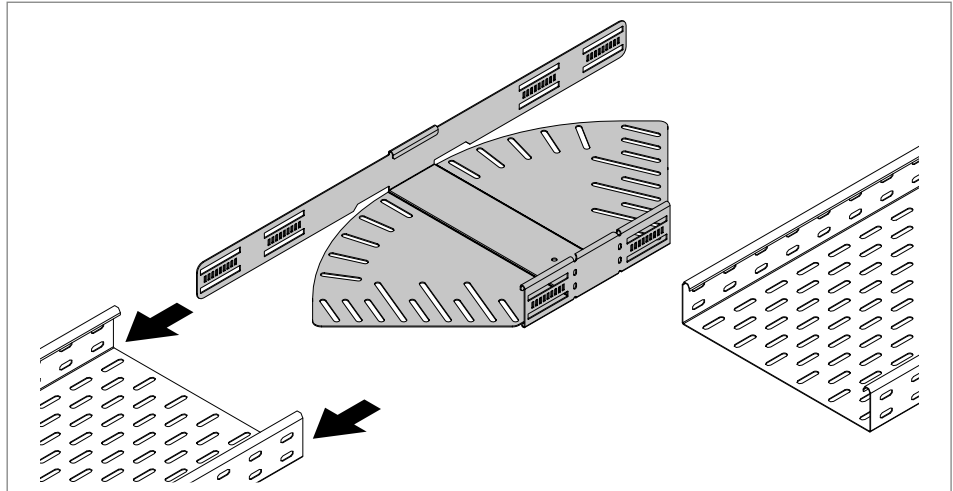


Fig. 56: Inserting the adjustable bend

1. Insert the bend with connection strap into the first tray.

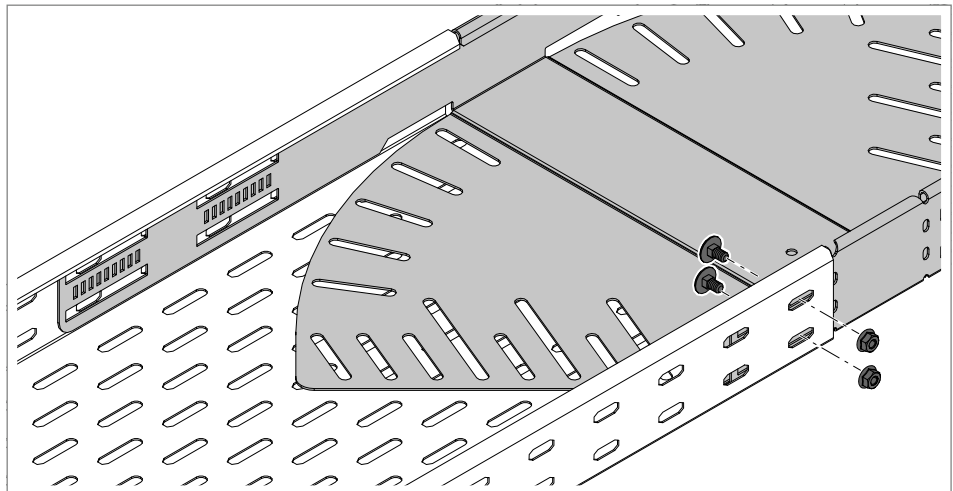


Fig. 57: Fixing the adjustable bend

2. Screw the inner connection strap of the bend to the tray.

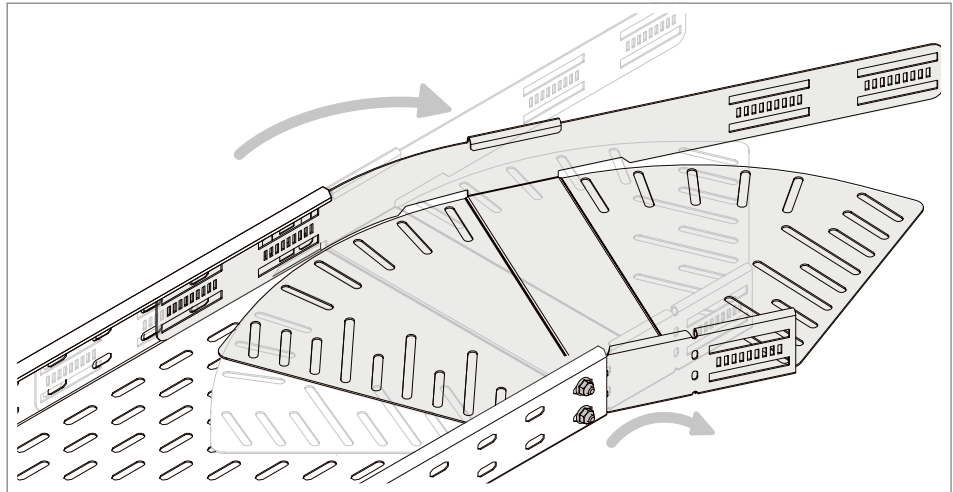


Fig. 58: Bending the adjustable bend

3. Pre-bend the inner connection strap.

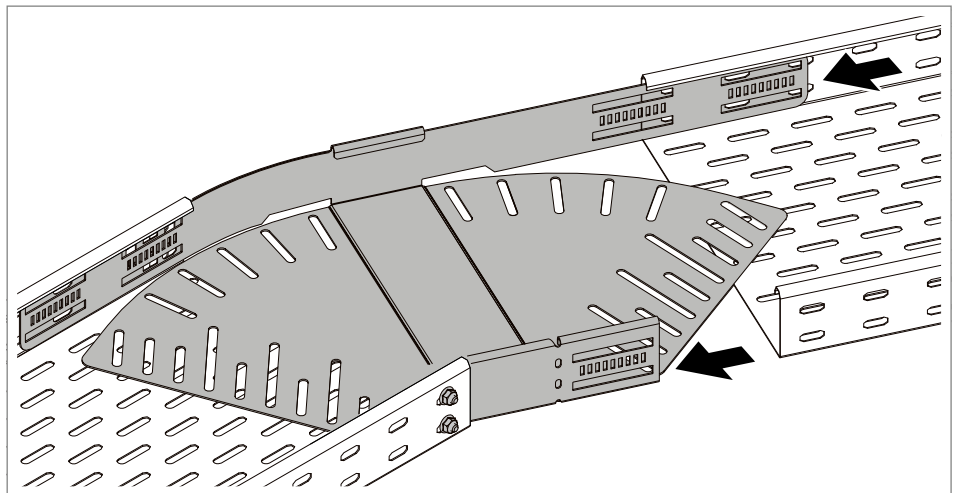


Fig. 59: Pushing the second tray onto the bend

4. Push the second tray onto the connection strap.

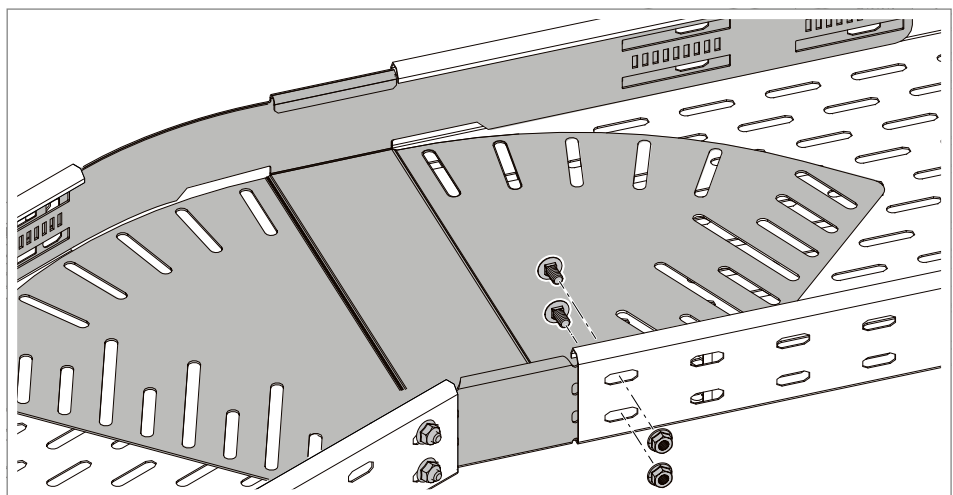


Fig. 60: Fixing the second tray onto the bend

5. Screw the inner connector of the bend to the second tray or fasten with DOP double clamp.

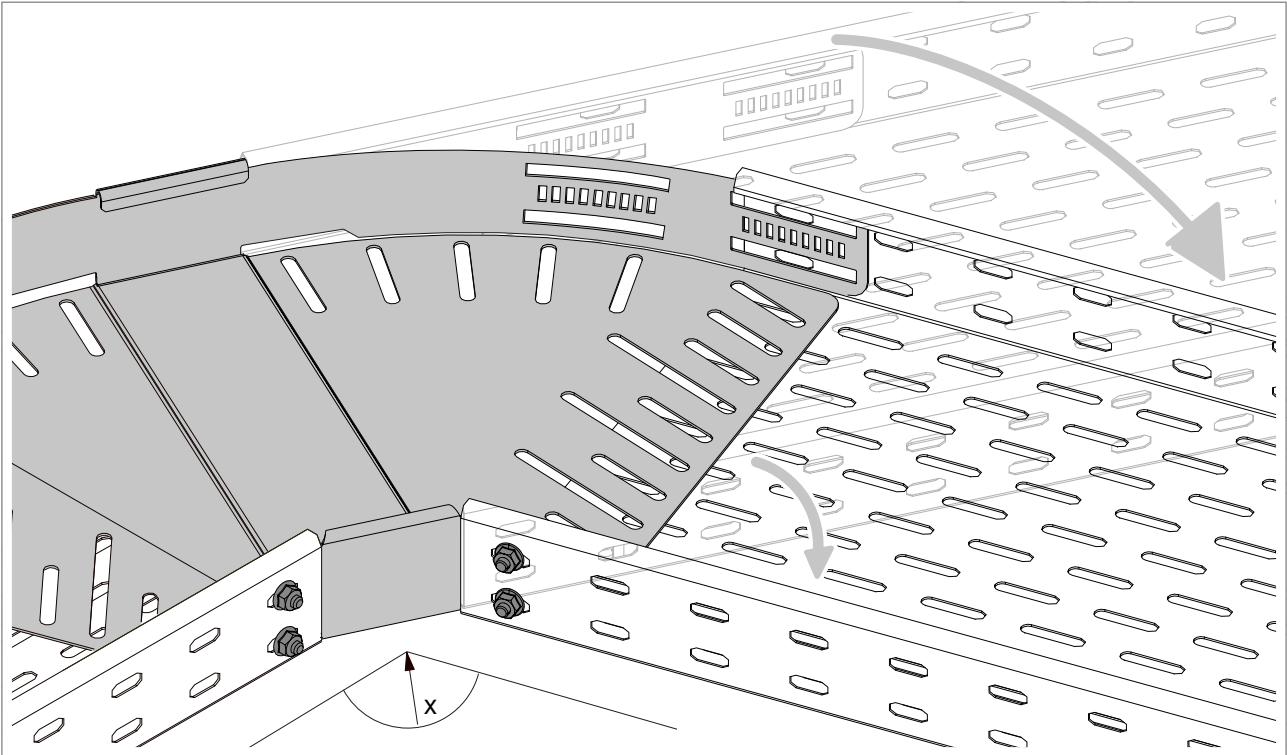


Abb. 61: Bending trays around the inner connector

6. Bend the second tray, or alternatively both trays, around the inner connection strap, to create the final angle x .

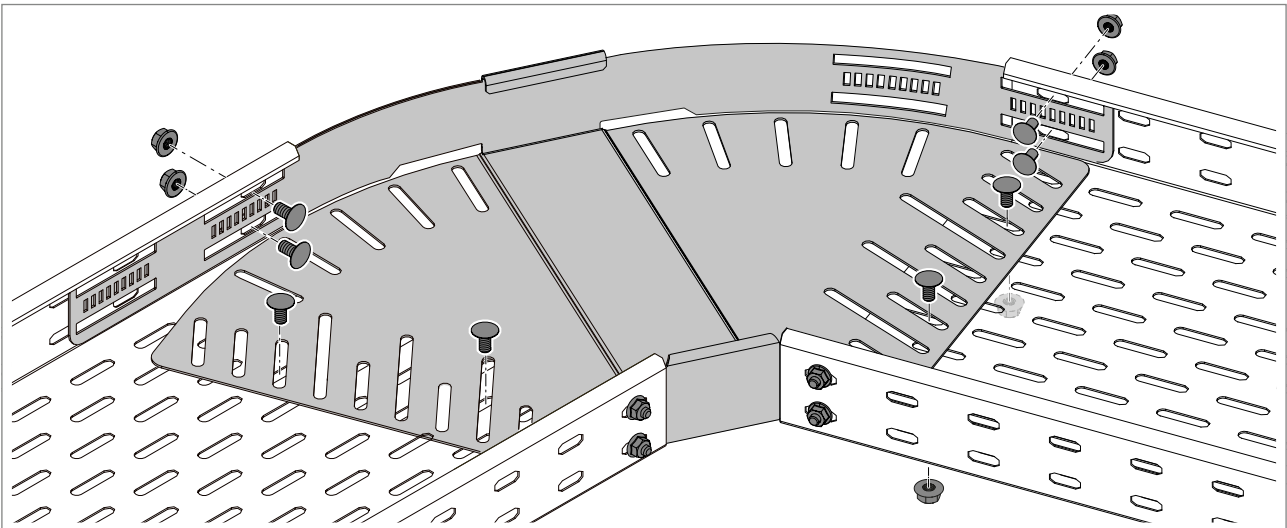


Abb. 62: Screwing connector and joint plate to trays

7. Screw outer connection straps of the bend to the tray or fasten with DOP double clamp.
8. Screwing the joint areas of the bend to the trays

6.6.6 Mounting falling or rising vertical bends

Rising or falling vertical bends are used to route cables in a 90° vertical angle. Vertical bends are available in widths 100–600 mm. Vertical bends have a connector perforation and are screwed on with FRS M6 truss-head bolts and combination nuts.

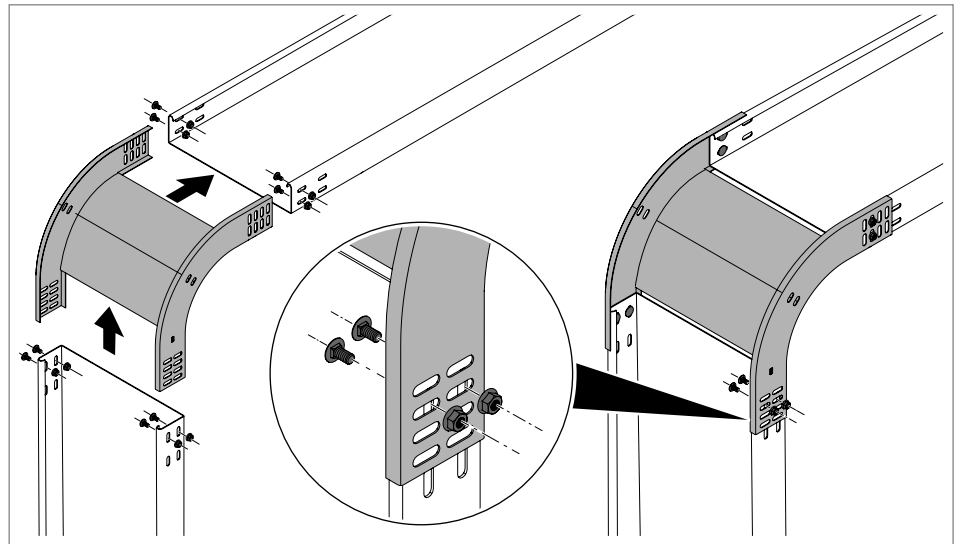


Fig. 63: Mounting a falling vertical bend

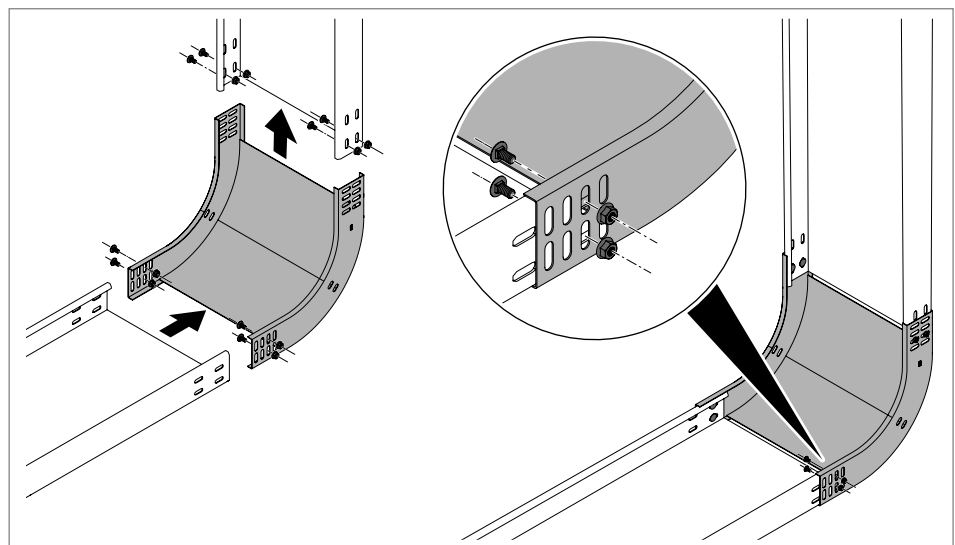


Fig. 64: Mounting a rising vertical bend

1. Push the vertical bend onto the first cable tray. In so doing, the cable tray rails are within the vertical bend.
2. Screw the vertical bend to the first cable tray.
3. Push the second cable tray into the vertical bend.
4. Screw the vertical bend to the second cable tray.

6.6.7 Mounting an adjustable bend element

Adjustable bend elements are used to create height offsets with flexible bends. Adjustable bend elements are mounted on the cable tray with half an adjustable connector and FRS M6 truss-head bolts and combination nuts. Adjustable bend elements are interconnected with SKS M8x16 hinge screws and locking screws. The angles should be flexible. Bottom end plates are mounted at the ends of the cable trays in order to avoid cable damage.

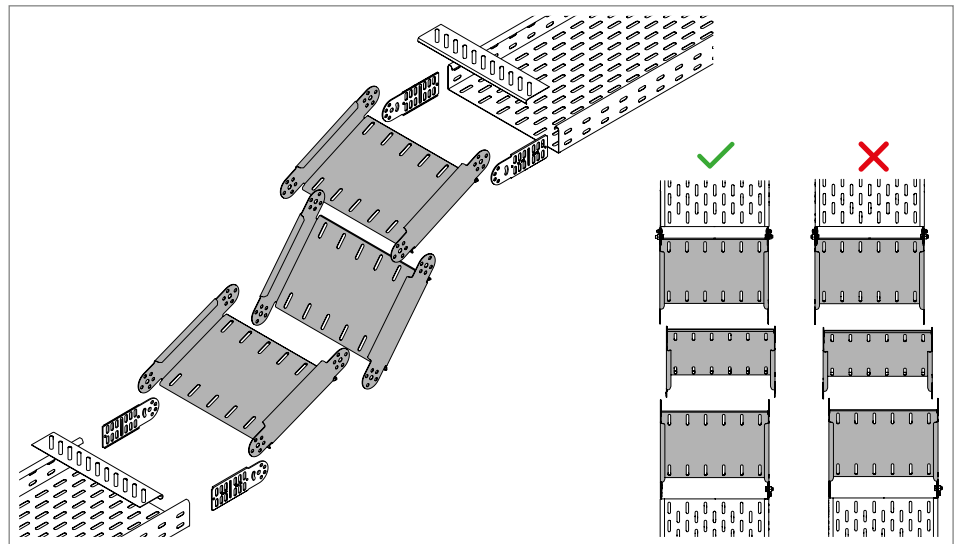


Fig. 65: Adjustable bend element with half an adjustable connector and bottom end plate

Note!

Always arrange adjustable bend elements with alternating offsets in order to avoid a one-sided directional offset.

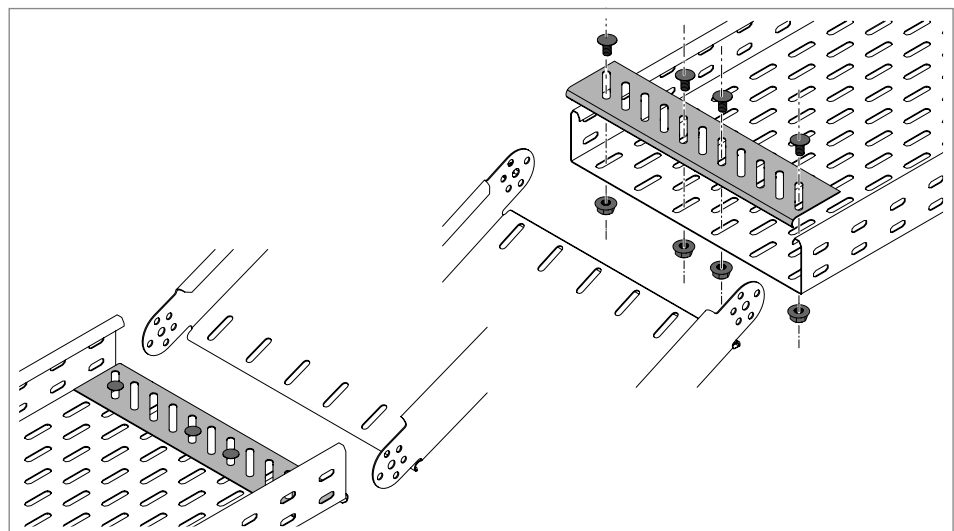


Fig. 66: Mounting a bottom end plate

1. With unperforated cut cable trays, pre-drill the connector perforation for adjustable connectors and bottom end plates.
2. Screw bottom end plates to cable tray bases.

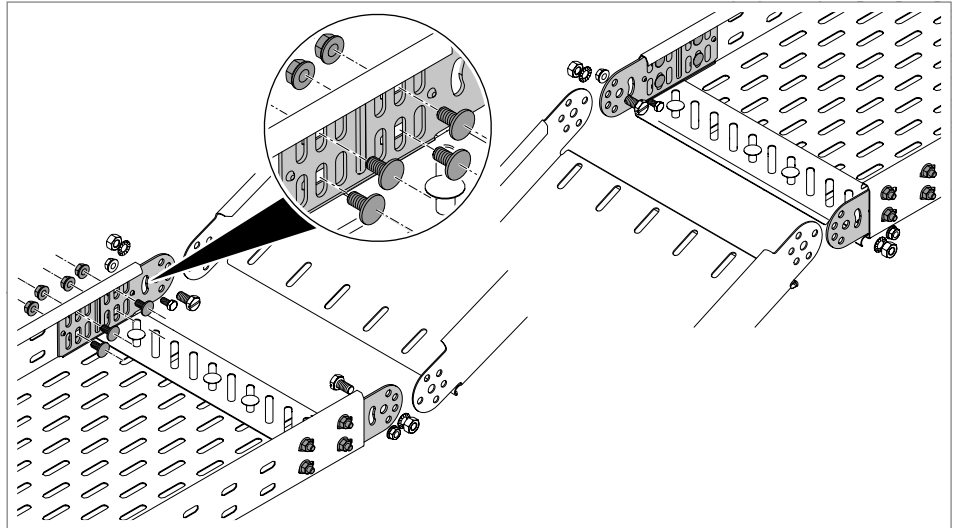


Fig. 67: Mounting adjustable connectors on cable trays

3. Screw the adjustable connector to the inner sides of the rail.

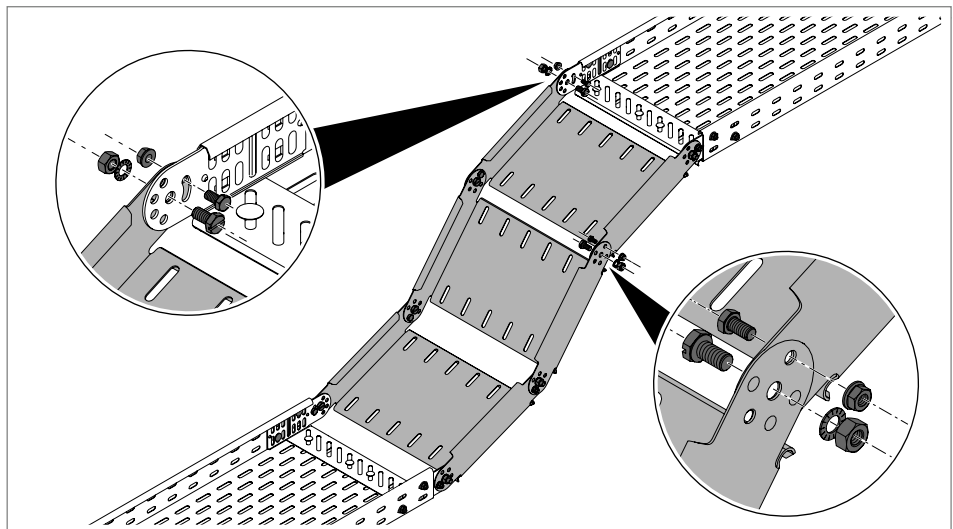


Fig. 68: Mounting adjustable bend elements

4. Fasten adjustable bend elements to adjustable connectors with SKS M8x16 hinge screws.
5. Adjust the angle.
6. Screw on the locking screws in the slot or other available drill hole.
7. Mount other adjustable bend elements with hinge screws and locking screws.

6.6.8 Mounting a reducer profile/end closure

Reducer profiles/end closures are used to reduce tray widths or to close them off completely. Reducer profiles/end closures have a connector perforation and are screwed on with FRS M6 truss-head bolts and combination nuts.

Mounting a reducer profile

1. With unperforated cut cable trays, pre-drill the connector perforation for connectors, reducer profile and joint plates.

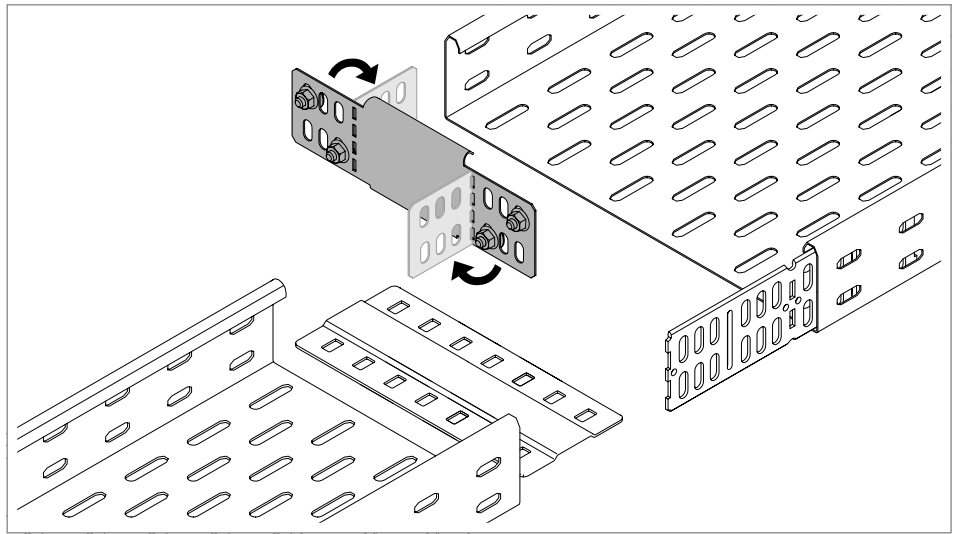


Fig. 69: Bending a reducer profile

2. Bend straps on the reducer profile by 90°.

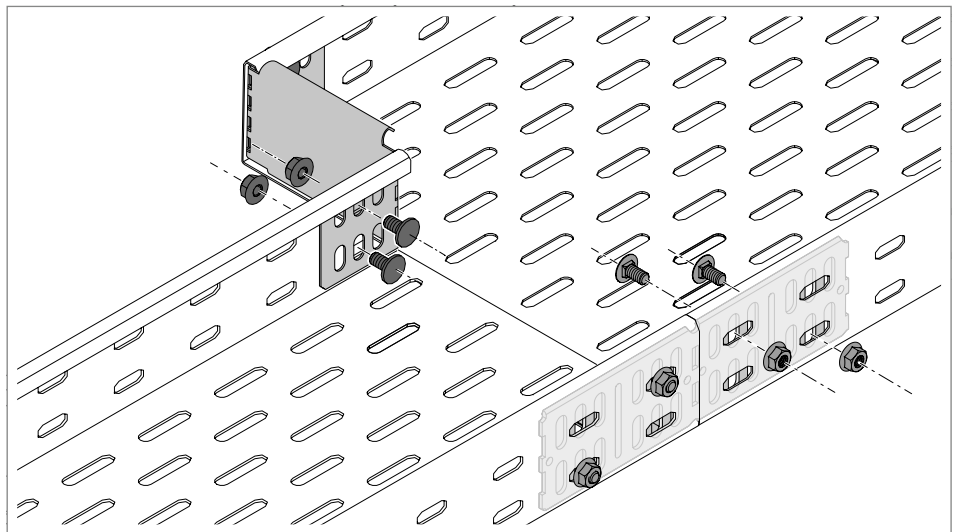


Fig. 70: Mounting a straight and angle connector and reducer profile

3. Screw on the RWVL straight and angle connector to the inner side of the rail.
4. Screw the reducer profile to the inner sides of the rail.

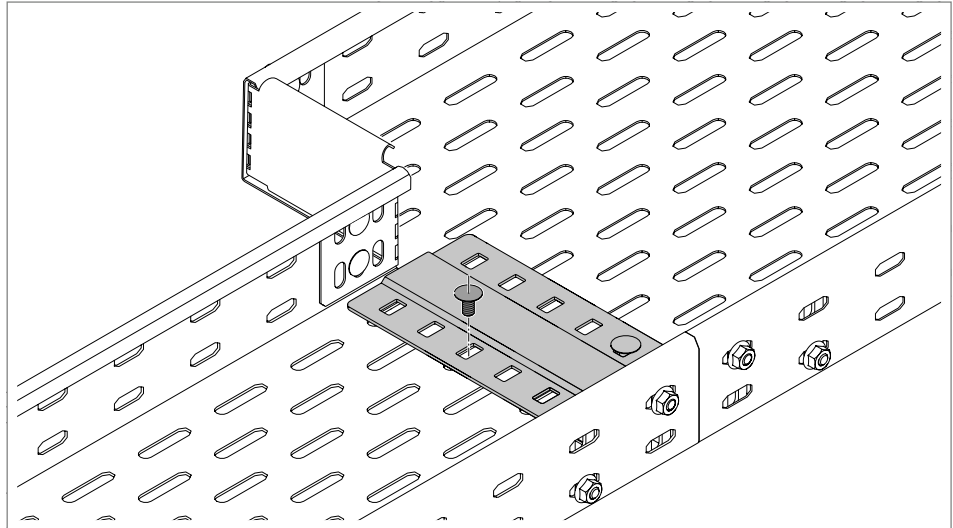


Fig. 71: Screwing on the joint plate

5. Screw on the joint plate.

Mounting a stop end

1. With unperforated cut cable trays, pre-drill mounting perforations.

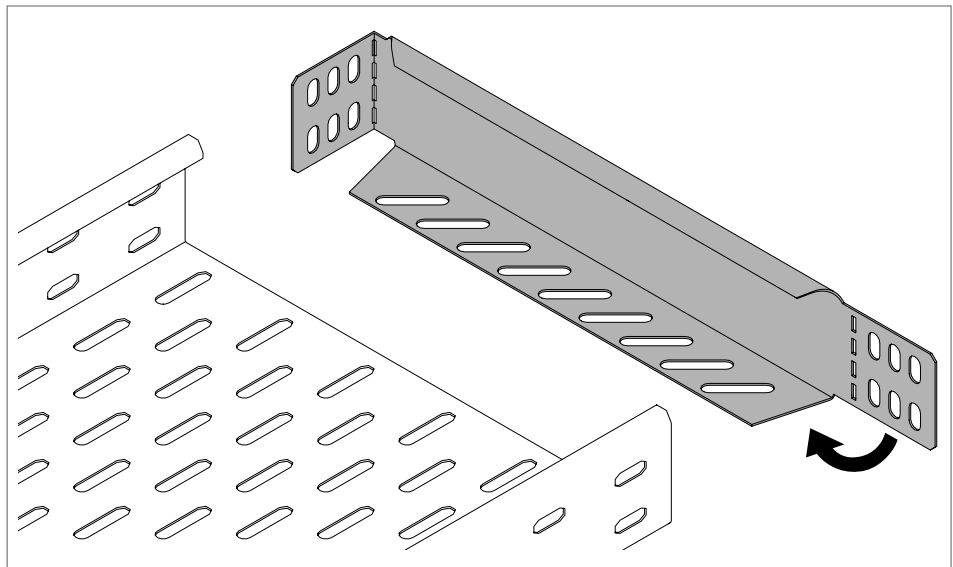


Fig. 72: Bending a strap

2. Bend the straps on the end closure 90° inwards.

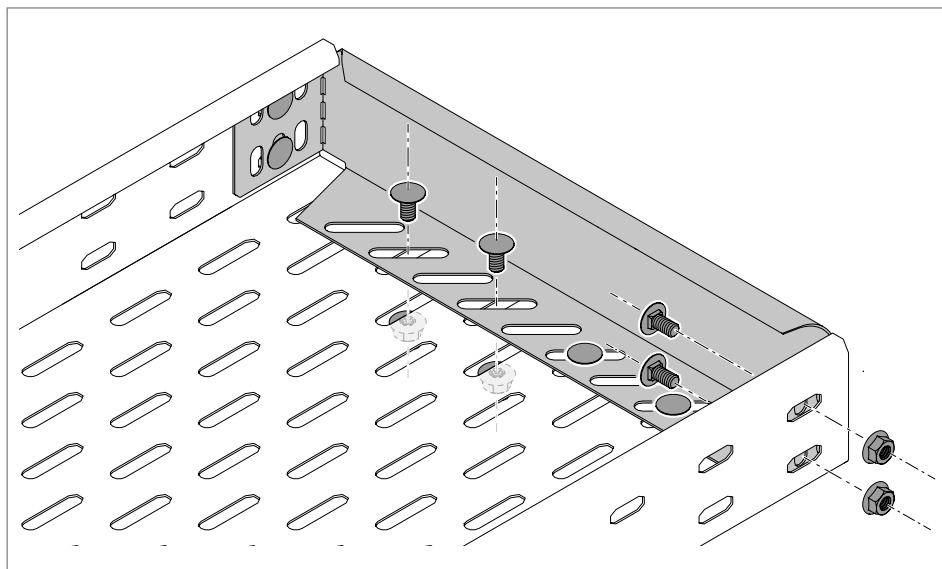


Fig. 73: Mounting an end closure

3. Push the end closure into the cable tray. In so doing, the straps touch the inner edge of the rail and the cable tray base.
4. Screw on the end closure.

6.7 Mounting a barrier strip

Barrier strips are used to route and separate cables with different functions or voltages in a cable tray. Barrier strips are mounted in the cable tray with FRS M6 truss-head bolts and combination nuts. Alternatively, the KS KR hold-down clamp can be used for the RKSM tray type.

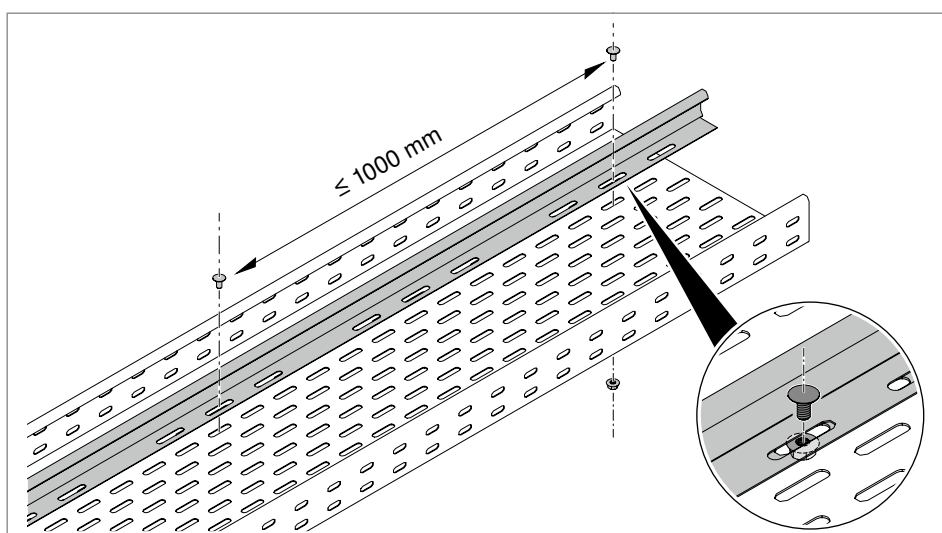


Fig. 74: Screwing on a barrier strip

1. With unperforated cable trays, pre-drill mounting perforations.
2. Screw on the barrier strip.

6.7.1 Connecting barrier strips with a barrier strip connector

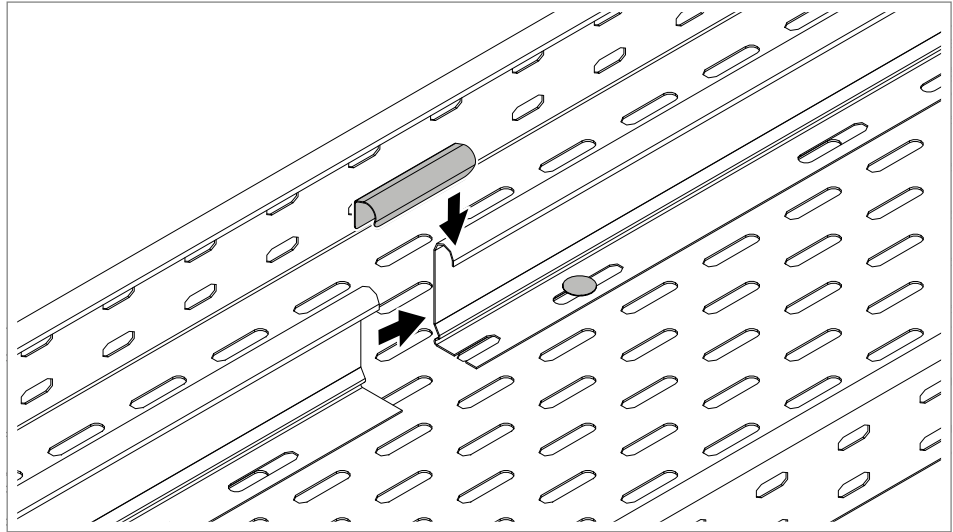


Fig. 75: Connecting barrier strips

1. Position the barrier strips next to each other.
2. Clamp the barrier strip connector at the joint.

6.8 Creating equipotential bonding

Note! *We recommend that the latchable cable tray system is integrated into the equipotential bonding.*

The equipotential bonding is created using an earthing terminal.

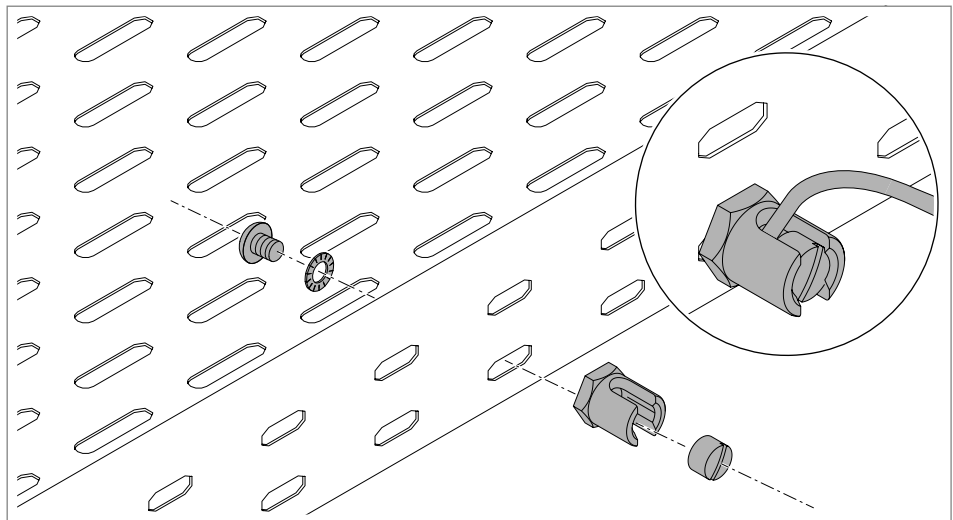


Fig. 76: Mounting the earthing terminal

1. Drill a hole in the cable tray rail if it does not yet exist.
2. Screw the earthing terminal on the cable tray rail with an FRSB 6x12 screw.
3. Electrically connect the earthing terminal to the overall equipotential bonding.

6.9 Mounting covers

Covers can be mounted as follows:

- With cover clamps
- With turn buckles mounted at a later date
- With pre-mounted turn buckles

6.9.1 Mounting a cover with a cover clamp

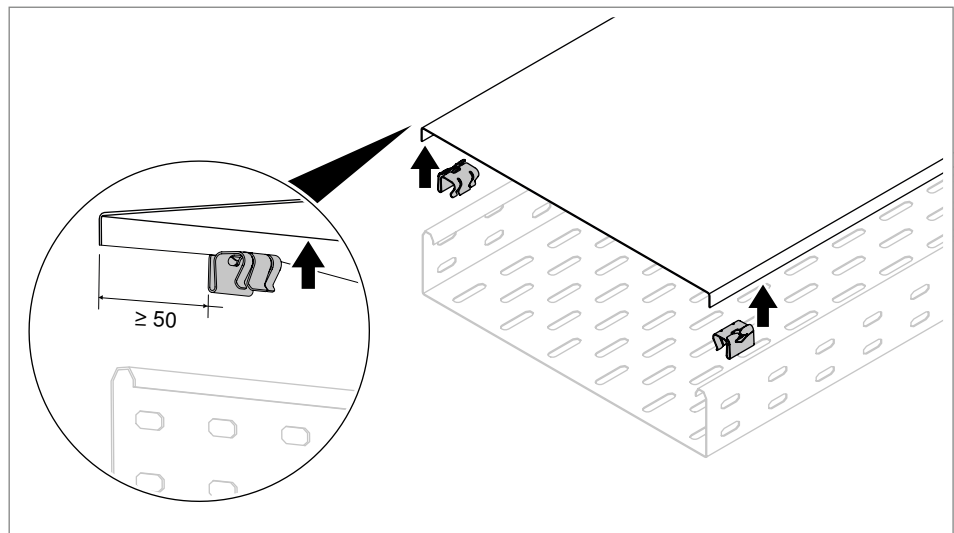


Fig. 77: Clamping the cover clamp to the cover

1. Clamp the cover clamp to the edge of the cover. Distance from the front edge at least 50 mm.

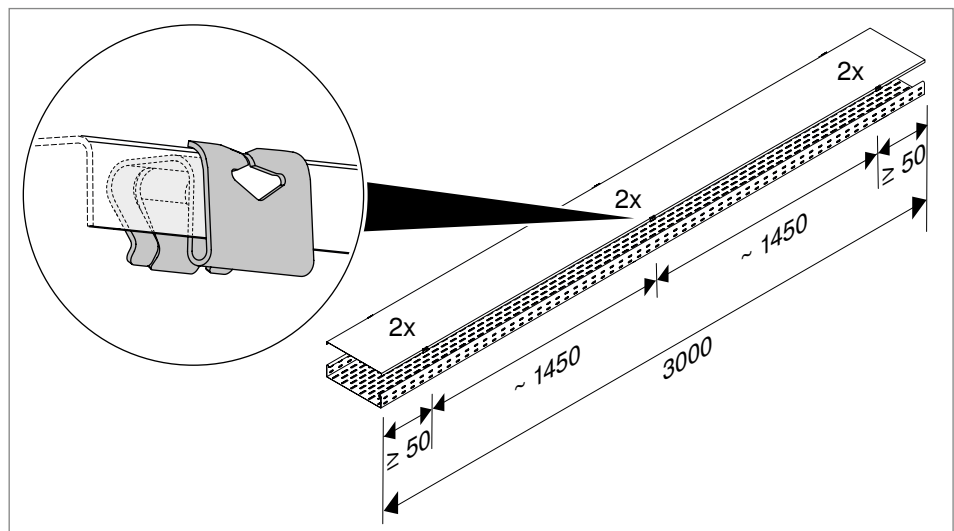


Fig. 78: Distribution of the necessary number of cover clamps

2. Mount at least 3 x 2 cover clamps for each 3,000 mm cover length. Distance between the clamps approx. 1,450 mm.

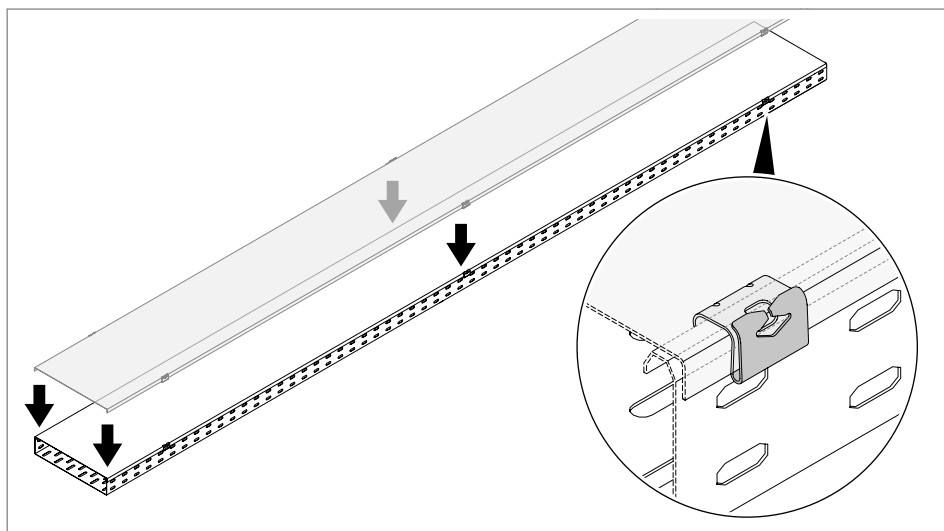


Fig. 79: Latch on the cover.

3. Latch the cover onto cable tray rails using cover clamps.

6.9.2 Mounting a cover with turn buckle

Turn buckles are either pre-mounted at the factory or can be mounted at a later date in the case of unperforated covers. Depending on the type, the turn buckle is screwed or riveted to the cover. In both cases, the holes must be pre-drilled in the cover. The cover is mounted on the cable tray using pre-mounted turn buckles in the same manner as with those installed at a later date.

Mounting a turn buckle

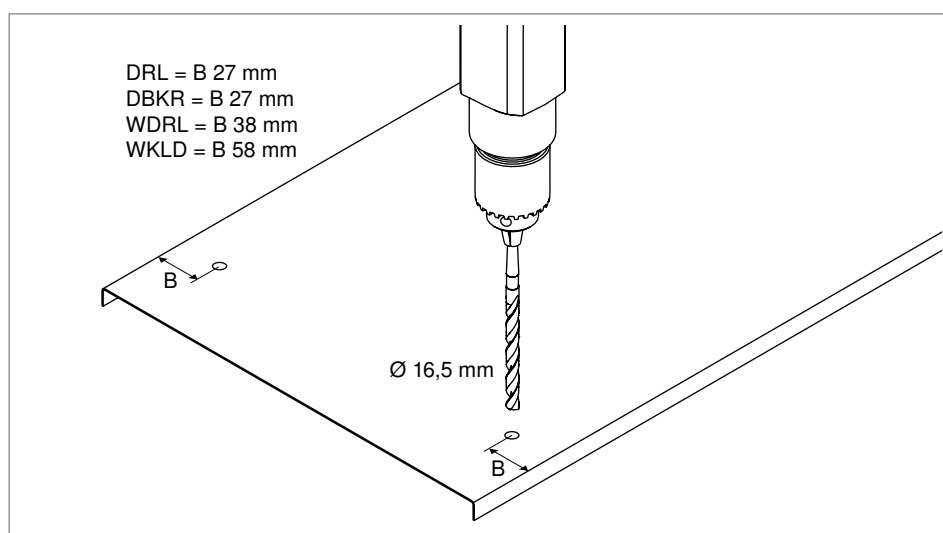


Fig. 80: Pre-drill the cover

1. Pre-drill the cover. Distance B from the edge dependent on cover type.

Note!

Fitting covers have been stamped with punch-marks in the factory, which mark the appropriate locations for mounting additional turn buckles.

2. Insert the turn buckle button through the hole in the top of the cover.

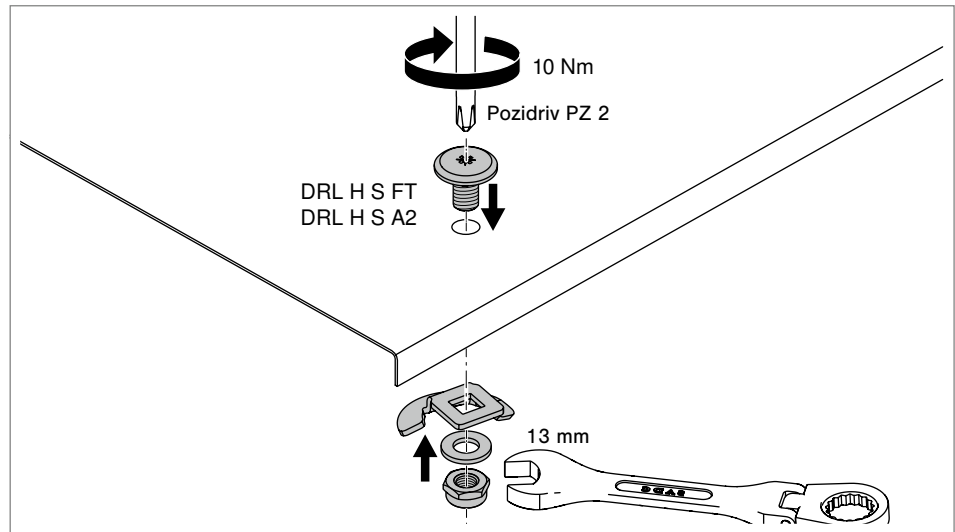


Fig. 81: Screwing on the turn buckle

3. Screw the turn buckle and hexagonal nut on the underside of the cover with the washer and turn buckle button.

Or:

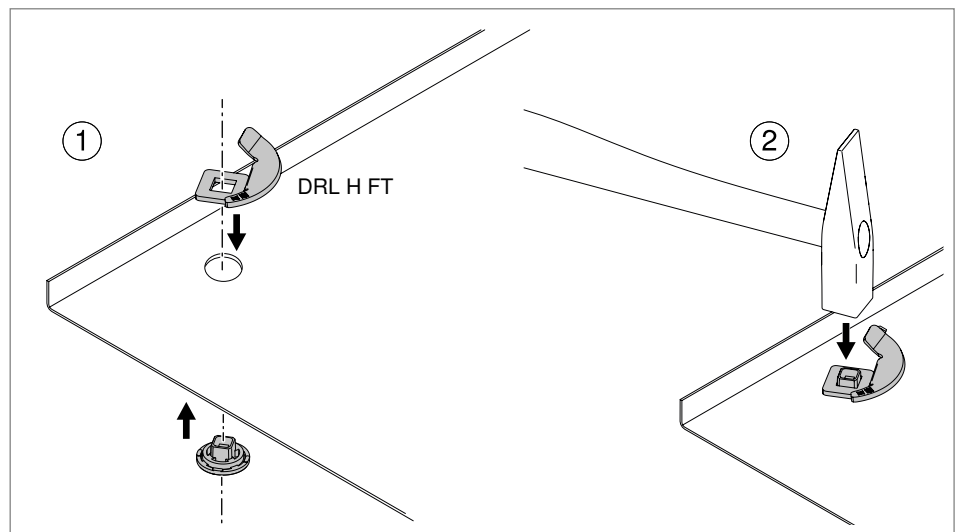


Fig. 82: Riveting the turn buckle

4. Rivet the turn buckle on the underside of the cover with the turn buckle button.

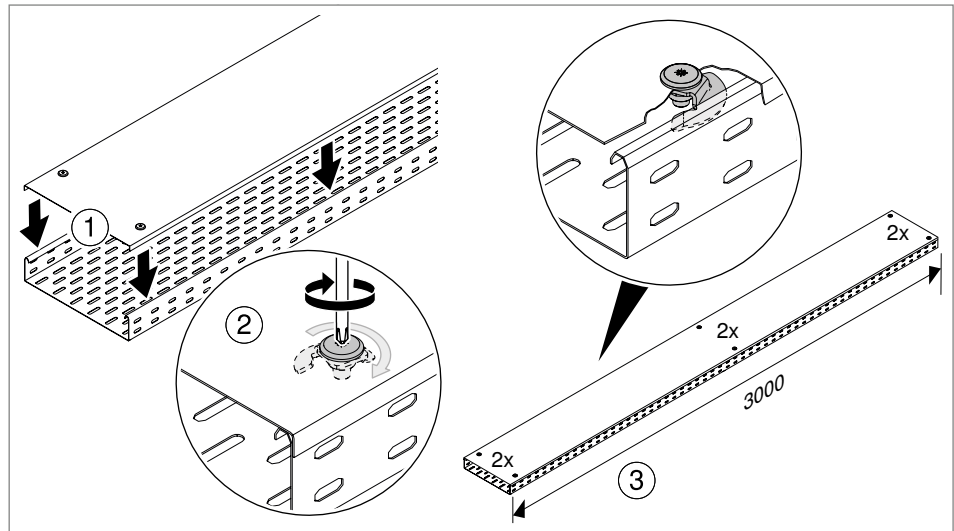


Fig. 83: Mounting the cover with Helix turn buckle

5. Mount at least 3 x 2 turn buckles for each 3,000 mm of cover length.
6. Position the cover on the cable tray.
7. Lock the turn buckle button on the cable tray using a screwdriver.

6.9.3 Mounting fitting cover

The fitting covers are supplied with either no, one or multiple pre-mounted turn buckles, depending on the fitting. Due to the particular shape of the sheet metal, the fitting cover is held in place additionally or exclusively by the section cover. The mounting of additional turn buckles is performed as described in chapter „6.9.2 Mounting a cover with turn buckle“ on page 52.

Note! *Fitting covers have been stamped with punch-marks in the factory, which mark the appropriate locations for mounting additional turn buckles.*

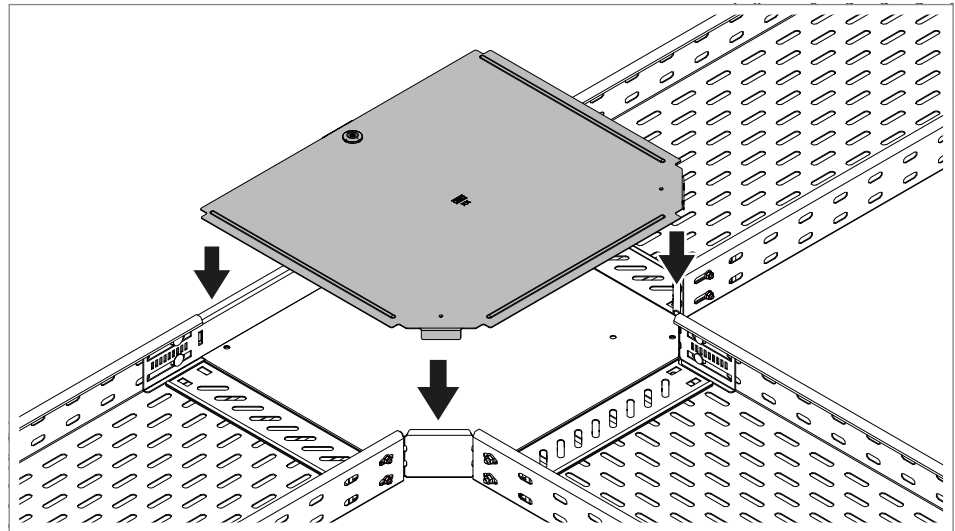


Fig. 84: Positioning a fitting cover

1. Position the fitting cover on the fitting so that the straps lie against the outside of the rail.

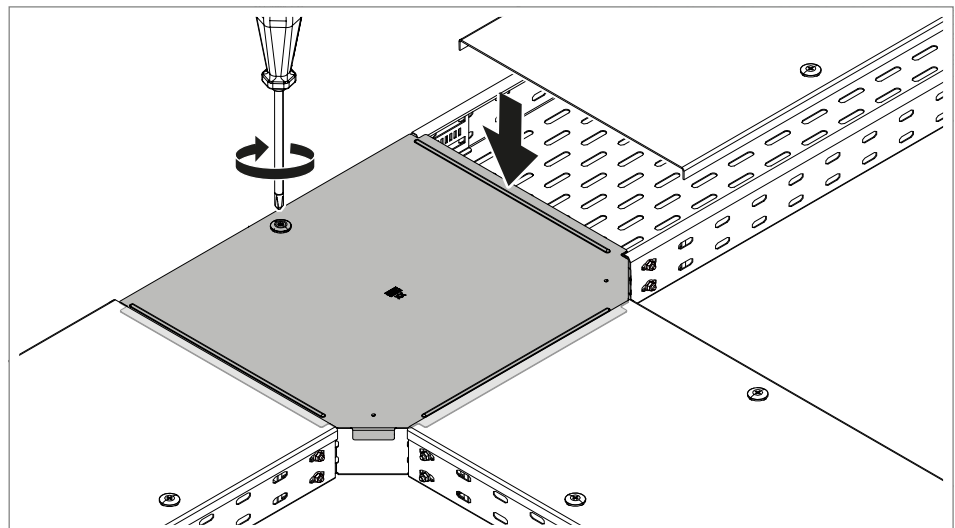


Fig. 85: Securing fitting cover with path covers

2. Lock turn buckle.
3. Place the path cover in such a way that the sheet ends of the fitting cover are covered.

7 Maintaining the system

The stability and function of the screw-on cable tray systems can be impaired by external influences, such as damage or machine vibrations.

Loose connection elements must be retightened and damaged parts replaced. The connection to the overall equipotential bonding must be continually intact and thus checked regularly.

8 Dismantling the system

All the elements of the cable tray systems are dismantled in the reverse order to the mounting.

A cover lifter (item no. 6049285) can be used to dismantle the covers mounted with cover clamps.

9 Disposing of the system

Comply with the local waste disposal regulations.

- Metal: As scrap metal
- Plastic parts: As plastic
- Packaging: As household waste/as metal (depending on packaging type)

10 Technical data

10.1 Article list

G = Electrogalvanised

FT = Hot-dip galvanised

CuCn37 = Brass

F = Hot galvanised

A2 = Stainless steel

DD = Double-dip galvanisation

FS = Strip galvanised

A4 = Stainless steel

Cable trays, length 3,000 mm

Designation	Type	Side height mm	Width mm	Surface	Item no.
MKS cable tray	MKS 310 FS	35	100	FS	6053548
MKS cable tray	MKS 315 FS	35	150	FS	6053572
MKS cable tray	MKS 320 FS	35	200	FS	6053599
MKS cable tray	MKS 330 FS	35	300	FS	6053637
MKS cable tray	MKS 310 FT	35	100	FT	6053106
MKS cable tray	MKS 315 FT	35	150	FT	6053165
MKS cable tray	MKS 320 FT	35	200	FT	6053203
MKS cable tray	MKS 330 FT	35	300	FT	6053300
MKS cable tray	MKS 610 FS	60	100	FS	6055109
MKS cable tray	MKS 615 FS	60	150	FS	6055141
MKS cable tray	MKS 620 FS	60	200	FS	6055206
MKS cable tray	MKS 630 FS	60	300	FS	6055303
MKS cable tray	MKS 640 FS	60	400	FS	6055400
MKS cable tray	MKS 650 FS	60	500	FS	6055508
MKS cable tray	MKS 660 FS	60	600	FS	6055524
MKS cable tray	MKS 610 FT	60	100	FT	6055532
MKS cable tray	MKS 615 FT	60	150	FT	6055559
MKS cable tray	MKS 620 FT	60	200	FT	6055575
MKS cable tray	MKS 630 FT	60	300	FT	6055613
MKS cable tray	MKS 640 FT	60	400	FT	6055664
MKS cable tray	MKS 650 FT	60	500	FT	6055699
MKS cable tray	MKS 660 FT	60	600	FT	6055710
MKS cable tray	MKS 610 A2	60	100	A2	6056016
MKS cable tray	MKS 620 A2	60	200	A2	6056024
MKS cable tray	MKS 630 A2	60	300	A2	6056040
MKS cable tray	MKS 640 A2	60	400	A2	6056059
MKS cable tray	MKS 610 FT SO	60	100	FT SO	7190099
MKS cable tray	MKS 615 FT SO	60	150	FT SO	7190101
MKS cable tray	MKS 620 FT SO	60	200	FT SO	7190103
MKS cable tray	MKS 630 FT SO	60	300	FT SO	7190107
MKS cable tray	MKS 640 FT SO	60	400	FT SO	7190109
MKS cable tray	MKS 650 FT SO	60	500	FT SO	7190110

Technical data

Designation	Type	Side height mm	Width mm	Surface	Item no.
MKS cable tray	MKS 660 FT SO	60	600	FT SO	7190111
MKS cable tray	MKS 810 FS	85	100	FS	6057101
MKS cable tray	MKS 820 FS	85	200	FS	6057209
MKS cable tray	MKS 830 FS	85	300	FS	6057306
MKS cable tray	MKS 840 FS	85	400	FS	6057403
MKS cable tray	MKS 850 FS	85	500	FS	6057500
MKS cable tray	MKS 860 FS	85	600	FS	6057535
MKS cable tray	MKS 110 FS	110	100	FS	6060102
MKS cable tray	MKS 120 FS	110	200	FS	6060196
MKS cable tray	MKS 130 FS	110	300	FS	6060307
MKS cable tray	MKS 140 FS	110	400	FS	6060404
MKS cable tray	MKS 150 FS	110	500	FS	6060412
MKS cable tray	MKS 155 FS	110	550	FS	6060528
MKS cable tray	MKS 110 FT	110	100	FT	6060609
MKS cable tray	MKS 120 FT	110	200	FT	6060625
MKS cable tray	MKS 130 FT	110	300	FT	6060641
MKS cable tray	MKS 140 FT	110	400	FT	6060676
SKS cable tray	SKS 610 FS	60	100	FS	6056105
SKS cable tray	SKS 615 FS	60	150	FS	6056156
SKS cable tray	SKS 620 FS	60	200	FS	6056202
SKS cable tray	SKS 630 FS	60	300	FS	6056296
SKS cable tray	SKS 640 FS	60	400	FS	6056407
SKS cable tray	SKS 650 FS	60	500	FS	6056504
SKS cable tray	SKS 660 FS	60	600	FS	6056601
SKS cable tray	SKS 610 FT	60	100	FT	6056636
SKS cable tray	SKS 615 FT	60	150	FT	6056644
SKS cable tray	SKS 620 FT	60	200	FT	6056652
SKS cable tray	SKS 630 FT	60	300	FT	6056679
SKS cable tray	SKS 640 FT	60	400	FT	6056695
SKS cable tray	SKS 650 FT	60	500	FT	6056717
SKS cable tray	SKS 660 FT	60	600	FT	6056733
SKS cable tray	SKS 610 A2	60	100	A2	6056735
SKS cable tray	SKS 620 A2	60	200	A2	6056737
SKS cable tray	SKS 630 A2	60	300	A2	6056739
SKS cable tray	SKS 640 A2	60	400	A2	6056742
SKS cable tray	SKS 650 A2	60	500	A2	6056744
SKS cable tray	SKS 660 A2	60	600	A2	6056746
SKS cable tray	SKS 610 A4	60	100	A4	6056750
SKS cable tray	SKS 620 A4	60	200	A4	6056755

Designation	Type	Side height mm	Width mm	Surface	Item no.
SKS cable tray	SKS 630 A4	60	300	A4	6056757
SKS cable tray	SKS 640 A4	60	400	A4	6056759
SKS cable tray	SKS 650 A4	60	500	A4	6056761
SKS cable tray	SKS 660 A4	60	600	A4	6056763
SKS cable tray	SKS 810 FS	85	100	FS	6058108
SKS cable tray	SKS 820 FS	85	200	FS	6058205
SKS cable tray	SKS 830 FS	85	300	FS	6058302
SKS cable tray	SKS 840 FS	85	400	FS	6058396
SKS cable tray	SKS 850 FS	85	500	FS	6058507
SKS cable tray	SKS 860 FS	85	600	FS	6058604
SKS cable tray	SKS 810 FT	85	100	FT	6058620
SKS cable tray	SKS 820 FT	85	200	FT	6058647
SKS cable tray	SKS 830 FT	85	300	FT	6058663
SKS cable tray	SKS 840 FT	85	400	FT	6058698
SKS cable tray	SKS 850 FT	85	500	FT	6058728
SKS cable tray	SKS 860 FT	85	600	FT	6058744
SKS cable tray	SKS 110 FS	110	100	FS	6061109
SKS cable tray	SKS 120 FS	110	200	FS	6061206
SKS cable tray	SKS 130 FS	110	300	FS	6061303
SKS cable tray	SKS 140 FS	110	400	FS	6061400
SKS cable tray	SKS 150 FS	110	500	FS	6061508
SKS cable tray	SKS 160 FS	110	600	FS	6061559
SKS cable tray	SKS 110 FT	110	100	FT	6061605
SKS cable tray	SKS 120 FT	110	200	FT	6061621
SKS cable tray	SKS 130 FT	110	300	FT	6061656
SKS cable tray	SKS 140 FT	110	400	FT	6061672
SKS cable tray	SKS 150 FT	110	500	FT	6061702
SKS cable tray	SKS 160 FT	110	600	FT	6061729
SKS cable tray	SKS 110 FT SO	110	100	FT SO	7196008
SKS cable tray	SKS 120 FT SO	110	200	FT SO	7196011
SKS cable tray	SKS 130 FT SO	110	300	FT SO	7196025
SKS cable tray	SKS 140 FT SO	110	400	FT SO	7196016
SKS cable tray	SKS 150 FT SO	110	500	FT SO	7196019
SKS cable tray	SKS 160 FT SO	110	600	FT SO	7196026
SKSU cable tray	SKSU 610 FS	60	100	FS	6063234
SKSU cable tray	SKSU 620 FS	60	200	FS	6063236
SKSU cable tray	SKSU 630 FS	60	300	FS	6063238
SKSU cable tray	SKSU 640 FS	60	400	FS	6063950
SKSU cable tray	SKSU 650 FS	60	500	FS	6063241

Technical data

Designation	Type	Side height mm	Width mm	Surface	Item no.
SKSU cable tray	SKSU 660 FS	60	600	FS	6063276
SKSU cable tray	SKSU 610 FT	60	100	FT	6064307
SKSU cable tray	SKSU 620 FT	60	200	FT	6064353
SKSU cable tray	SKSU 630 FT	60	300	FT	6064409
SKSU cable tray	SKSU 640 FT	60	400	FT	6064435
SKSU cable tray	SKSU 650 FT	60	500	FT	6064515
SKSU cable tray	SKSU 660 FT	60	600	FT	6064523
SKSU cable tray	SKSU 610 FT SO	60	100	FT SO	7196001
SKSU cable tray	SKSU 615 FT SO	60	150	FT SO	7196002
SKSU cable tray	SKSU 620 FT SO	60	200	FT SO	7196028
SKSU cable tray	SKSU 630 FT SO	60	300	FT SO	7196015
SKSU cable tray	SKSU 640 FT SO	60	400	FT SO	7196004
SKSU cable tray	SKSU 650 FT SO	60	500	FT SO	7196005
SKSU cable tray	SKSU 660 FT SO	60	600	FT SO	7196006
SKSU cable tray	SKSU 110 FS	110	100	FS	6063403
SKSU cable tray	SKSU 120 FS	110	200	FS	6063438
SKSU cable tray	SKSU 130 FS	110	300	FS	6063454
SKSU cable tray	SKSU 140 FS	110	400	FS	6063470
SKSU cable tray	SKSU 150 FS	110	500	FS	6063497
SKSU cable tray	SKSU 155 FS	110	550	FS	6063500
SKSU cable tray	SKSU 110 FT	110	100	FT	6064795
SKSU cable tray	SKSU 120 FT	110	200	FT	6064833
SKSU cable tray	SKSU 130 FT	110	300	FT	6064884
SKSU cable tray	SKSU 140 FT	110	400	FT	6064922
SKSU cable tray	SKSU 150 FT	110	500	FT	6064965
SKSU cable tray	SKSU 155 FT	110	550	FT	6064973
SKSU cable tray	SKSU 110 FT SO	110	100	FT SO	7196009
SKSU cable tray	SKSU 120 FT SO	110	200	FT SO	7196012
SKSU cable tray	SKSU 130 FT SO	110	300	FT SO	7196013
SKSU cable tray	SKSU 140 FT SO	110	400	FT SO	7196014
SKSU cable tray	SKSU 150 FT SO	110	500	FT SO	7196018
SKSU cable tray	SKSU 160 FT SO	110	600	FT SO	7196021
EKS cable tray	EKS 610 FS	60	100	FS	6056148
EKS cable tray	EKS 620 FS	60	200	FS	6056229
EKS cable tray	EKS 630 FS	60	300	FS	6056326
EKS cable tray	EKS 640 FS	60	400	FS	6056423
EKS cable tray	EKS 650 FS	60	500	FS	6056520
EKS cable tray	EKS 660 FS	60	600	FS	6056628
EKS cable tray	EKS 610 FT	60	100	FT	6056776

Designation	Type	Side height mm	Width mm	Surface	Item no.
EKS cable tray	EKS 620 FT	60	200	FT	6056792
EKS cable tray	EKS 630 FT	60	300	FT	6056806
EKS cable tray	EKS 640 FT	60	400	FT	6056970
EKS cable tray	EKS 650 FT	60	500	FT	6056989
EKS cable tray	EKS 660 FT	60	600	FT	6056997
EKS cable tray	EKS 610 FT SO	60	100	FT SO	7190316
EKS cable tray	EKS 615 FT SO	60	115	FT SO	7190314
EKS cable tray	EKS 620 FT SO	60	200	FT SO	7190312
EKS cable tray	EKS 630 FT SO	60	300	FT SO	7190310
EKS cable tray	EKS 640 FT SO	60	400	FT SO	7190311
EKS cable tray	EKS 650 FT SO	60	500	FT SO	7190307
EKS cable tray	EKS 660 FT SO	60	600	FT SO	7190306
EKSU cable tray	EKSU 610 FT SO	60	100	FT SO	7189979
EKSU cable tray	EKSU 615 FT SO	60	115	FT SO	7189981
EKSU cable tray	EKSU 620 FT SO	60	200	FT SO	7189980
EKSU cable tray	EKSU 630 FT SO	60	300	FT SO	7189983
EKSU cable tray	EKSU 640 FT SO	60	400	FT SO	7189986
EKSU cable tray	EKSU 645 FT SO	60	450	FT SO	7189984
EKSU cable tray	EKSU 650 FT SO	60	500	FT SO	7189985
EKSU cable tray	EKSU 660 FT SO	60	600	FT SO	7189987
DKS cable tray	DKS 610 FS	60	100	FS	6085016
DKS cable tray	DKS 620 FS	60	200	FS	6085032
DKS cable tray	DKS 630 FS	60	300	FS	6085059
DKS cable tray	DKS 640 FS	60	400	FS	6085202
DKS cable tray	DKS 650 FS	60	500	FS	6085229
DKS cable tray	DKS 660 FS	60	600	FS	6085245
DKS cable tray	DKS 610 FT	60	100	FT	6085326
DKS cable tray	DKS 620 FT	60	200	FT	6085342
DKS cable tray	DKS 630 FT	60	300	FT	6085369
DKS cable tray	DKS 640 FT	60	400	FT	6085512
DKS cable tray	DKS 650 FT	60	500	FT	6085539
DKS cable tray	DKS 660 FT	60	600	FT	6085555
DKS cable tray	DKS 810 FT	60	100	FT	6086470
DKS cable tray	DKS 820 FT	60	200	FT	6086497
DKS cable tray	DKS 830 FT	60	300	FT	6086519
DKS cable tray	DKS 840 FT	60	400	FT	6086659
DKS cable tray	DKS 850 FT	60	500	FT	6086675
DKS cable tray	DKS 860 FT	60	600	FT	6086691
IKS cable tray	IKS 610 FS	60	100	FS	6087116

Technical data

Designation	Type	Side height mm	Width mm	Surface	Item no.
IKS cable tray	IKS 620 FS	60	200	FS	6087132
IKS cable tray	IKS 630 FS	60	300	FS	6087140
IKS cable tray	IKS 640 FS	60	400	FS	6087159

Cable trays, length 6,000 mm

SKSU cable tray	SKS 110 FS	110	100	FS	6063412
SKSU cable tray	SKS 110 FT	110	100	FT	6064810

Connectors

Designation	Type	Side height mm	Surface	Item no.
Straight connector 35	RLVK 35 FS	35	FS	6067085
Straight connector 35	RLVK 35 FT	35	FT	6067301
Straight connector 60	RLVK 60 FS	60	FS	6067093
Straight connector 60	RLVK 60 FT	60	FT	6067603
Straight connector 60	RLVK 60 A2	60	A2	6067654
Straight connector 60	RLVK 60 A4	60	A4	6067675
Outside straight connector 110	RLVA 110 FS	110	FS	6067055
Outside straight connector 110	RLVA 110 FT	110	FT	6067057
Straight and angle connector 35	RWVL 35 FS	35	FS	6067107
Straight and angle connector 35	RWVL 35 FT	35	FT	6067328
Straight and angle connector 60	RWVL 60 FS	60	FS	6067115
Straight and angle connector 60	RWVL 60 FT	60	FT	6067611
Straight and angle connector 60	RWVL 60 A2	60	A2	6067662
Straight and angle connector 60	RWVL 60 A4	60	A4	6067664
Straight and angle connector 85	RLVL 85 FS	85	FS	6067123
Straight and angle connector 85	RLVL 85 FT	85	FT	6067816
Straight and angle connector 110	RLVL 110 FS	110	FS	6067131
Straight and angle connector 110	RLVL 110 FT	110	FT	6067913
Straight and angle connector 110	RLVL 110 A2	110	A2	6067948
Adjustable connector 35	RGV 35 FS	35	FS	7082002
Adjustable connector 35	RGV 35 FT	35	FT	7082126
Adjustable connector 60	RGV 60 FS	60	FS	7082010
Adjustable connector 60	RGV 60 FT	60	FT	7082223
Adjustable connector 60	RGV 60 A2	60	A2	7082258
Adjustable connector 60	RGV 60 A4	60	A4	7082265
Adjustable connector 85	RGV 85 FS	85	FS	7082029
Adjustable connector 85	RGV 85 FT	85	FT	7082320
Adjustable connector 110	RGV 110 FS	110	FS	7082037
Adjustable connector 110	RGV 110 FT	110	FT	7082436

Designation	Type	Side height mm	Surface	Item no.
Adjustable connector 110	RGV 110 A2	110	A2	7082479
Angle connector 35	WKV 35 FS	35	FS	6043038
Corner connector 35	REV 35 FS	35	FS	6067956
Corner connector 35	REV 35 DD	35	DD	6069304
Angle connector 60	WKV 60 FS	60	FS	6043062
Angle connector 60	WKV 60 FT	60	FT	6042910
Corner connector 60	REV 60 FS	60	FS	6067972
Corner connector 60	REV 60 DD	60	DD	6069410
Corner connector 60	REV 60 A2	60	A2	6068022
Corner connector 60	REV 60 A4	60	A4	6068054
Corner connector 85	REV 85 FS	85	FS	6067980
Corner connector 85	REV 85 DD	85	DD	6069320
Corner connector 110	REV 110 FS	110	FS	6067999
Corner connector 110	REV 110 DD	110	DD	6069339
Corner connector 110	REV 110 A2	110	A2	6068049

Fittings

Designation	Type	Side height mm	Width mm	Surface	Item no.
90° bend for cable tray, horizontal	RB 90 310 FS	35	100	FS	6036500
90° bend for cable tray, horizontal	RB 90 320 FS	35	200	FS	6036502
90° bend for cable tray, horizontal	RB 90 330 FS	35	300	FS	6036504
90° bend for cable tray, horizontal	RB 90 610 FS	60	100	FS	6036560
90° bend for cable tray, horizontal	RB 90 615 FS	60	150	FS	6036562
90° bend for cable tray, horizontal	RB 90 620 FS	60	200	FS	6036564
90° bend for cable tray, horizontal	RB 90 630 FS	60	300	FS	6036566
90° bend for cable tray, horizontal	RB 90 640 FS	60	400	FS	6036568
90° bend for cable tray, horizontal	RB 90 650 FS	60	500	FS	6036570
90° bend for cable tray, horizontal	RB 90 660 FS	60	600	FS	6036572
90° bend for cable tray, horizontal	RB 90 810 FS	85	100	FS	6036700
90° bend for cable tray, horizontal	RB 90 820 FS	85	200	FS	6036702
90° bend for cable tray, horizontal	RB 90 830 FS	85	300	FS	6036704
90° bend for cable tray, horizontal	RB 90 840 FS	85	400	FS	6036706
90° bend for cable tray, horizontal	RB 90 850 FS	85	500	FS	6036709
90° bend for cable tray, horizontal	RB 90 860 FS	85	600	FS	6036710
90° bend for cable tray, horizontal	RB 90 110 FS	110	100	FS	6036800
90° bend for cable tray, horizontal	RB 90 115 FS	110	150	FS	6036802
90° bend for cable tray, horizontal	RB 90 120 FS	110	200	FS	6036804
90° bend for cable tray, horizontal	RB 90 130 FS	110	300	FS	6036806
90° bend for cable tray, horizontal	RB 90 140 FS	110	400	FS	6036808

Technical data

Designation	Type	Side height mm	Width mm	Surface	Item no.
90° bend for cable tray, horizontal	RB 90 150 FS	110	500	FS	6036810
90° bend for cable tray, horizontal	RB 90 160 FS	110	600	FS	6036812
90° bend for cable tray, horizontal	RB 90 310 FT	35	100	FT	6036510
90° bend for cable tray, horizontal	RB 90 320 FT	35	200	FT	6036512
90° bend for cable tray, horizontal	RB 90 330 FT	35	300	FT	6036514
90° bend for cable tray, horizontal	RB 90 610 FT	60	100	FT	6036590
90° bend for cable tray, horizontal	RB 90 615 FT	60	150	FT	6036592
90° bend for cable tray, horizontal	RB 90 620 FT	60	200	FT	6036594
90° bend for cable tray, horizontal	RB 90 630 FT	60	300	FT	6036596
90° bend for cable tray, horizontal	RB 90 640 FT	60	400	FT	6036598
90° bend for cable tray, horizontal	RB 90 650 FT	60	500	FT	6036600
90° bend for cable tray, horizontal	RB 90 660 FT	60	600	FT	6036602
90° bend for cable tray, horizontal	RB 90 810 FT	85	100	FT	6036712
90° bend for cable tray, horizontal	RB 90 820 FT	85	200	FT	6036714
90° bend for cable tray, horizontal	RB 90 830 FT	85	300	FT	6036716
90° bend for cable tray, horizontal	RB 90 840 FT	85	400	FT	6036718
90° bend for cable tray, horizontal	RB 90 850 FT	85	500	FT	6036720
90° bend for cable tray, horizontal	RB 90 860 FT	85	600	FT	6036722
90° bend for cable tray, horizontal	RB 90 110 FT	110	100	FT	6036830
90° bend for cable tray, horizontal	RB 90 115 FT	110	150	FT	6036832
90° bend for cable tray, horizontal	RB 90 120 FT	110	200	FT	6036834
90° bend for cable tray, horizontal	RB 90 130 FT	110	300	FT	6036836
90° bend for cable tray, horizontal	RB 90 140 FT	110	400	FT	6036838
90° bend for cable tray, horizontal	RB 90 150 FT	110	500	FT	6036840
90° bend for cable tray, horizontal	RB 90 160 FT	110	600	FT	6036842
90° bend for cable tray, horizontal	RB 90 610 A2	60	100	A2	6036620
90° bend for cable tray, horizontal	RB 90 615 A2	60	150	A2	6036622
90° bend for cable tray, horizontal	RB 90 620 A2	60	200	A2	6036624
90° bend for cable tray, horizontal	RB 90 630 A2	60	300	A2	6036626
90° bend for cable tray, horizontal	RB 90 640 A2	60	400	A2	6036628
90° bend for cable tray, horizontal	RB 90 650 A2	60	500	A2	6036630
90° bend for cable tray, horizontal	RB 90 660 A2	60	600	A2	6036632
90° bend for cable tray, horizontal	RB 90 110 A2	110	100	A2	6036860
90° bend for cable tray, horizontal	RB 90 120 A2	110	200	A2	6036862
90° bend for cable tray, horizontal	RB 90 130 A2	110	300	A2	6036864
90° bend for cable tray, horizontal	RB 90 140 A2	110	400	A2	6036866
90° bend for cable tray, horizontal	RB 90 150 A2	110	500	A2	6036868
90° bend for cable tray, horizontal	RB 90 160 A2	110	600	A2	6036870
90° bend for cable tray, horizontal	RB 90 610 A4	60	100	A4	6036650

Designation	Type	Side height mm	Width mm	Surface	Item no.
90° bend for cable tray, horizontal	RB 90 615 A4	60	150	A4	6036652
90° bend for cable tray, horizontal	RB 90 620 A4	60	200	A4	6036654
90° bend for cable tray, horizontal	RB 90 630 A4	60	300	A4	6036656
90° bend for cable tray, horizontal	RB 90 640 A4	60	400	A4	6036658
90° bend for cable tray, horizontal	RB 90 660 A4	60	600	A4	6036662
45° bend for cable tray, horizontal	RB 45 310 FS	35	100	FS	6036000
45° bend for cable tray, horizontal	RB 45 320 FS	35	200	FS	6036002
45° bend for cable tray, horizontal	RB 45 330 FS	35	300	FS	6036004
45° bend for cable tray, horizontal	RB 45 610 FS	60	100	FS	6036100
45° bend for cable tray, horizontal	RB 45 615 FS	60	150	FS	6036102
45° bend for cable tray, horizontal	RB 45 620 FS	60	200	FS	6036104
45° bend for cable tray, horizontal	RB 45 630 FS	60	300	FS	6036106
45° bend for cable tray, horizontal	RB 45 640 FS	60	400	FS	6036108
45° bend for cable tray, horizontal	RB 45 650 FS	60	500	FS	6036110
45° bend for cable tray, horizontal	RB 45 660 FS	60	600	FS	6036113
45° bend for cable tray, horizontal	RB 45 810 FS	85	100	FS	6036200
45° bend for cable tray, horizontal	RB 45 820 FS	85	200	FS	6036202
45° bend for cable tray, horizontal	RB 45 830 FS	85	300	FS	6036204
45° bend for cable tray, horizontal	RB 45 840 FS	85	400	FS	6036206
45° bend for cable tray, horizontal	RB 45 850 FS	85	500	FS	6036208
45° bend for cable tray, horizontal	RB 45 860 FS	85	600	FS	6036210
45° bend for cable tray, horizontal	RB 45 110 FS	110	100	FS	6036300
45° bend for cable tray, horizontal	RB 45 120 FS	110	200	FS	6036302
45° bend for cable tray, horizontal	RB 45 130 FS	110	300	FS	6036304
45° bend for cable tray, horizontal	RB 45 140 FS	110	400	FS	6036306
45° bend for cable tray, horizontal	RB 45 150 FS	110	500	FS	6036308
45° bend for cable tray, horizontal	RB 45 160 FS	110	600	FS	6036310
45° bend for cable tray, horizontal	RB 45 310 FT	35	100	FT	6036010
45° bend for cable tray, horizontal	RB 45 320 FT	35	200	FT	6036012
45° bend for cable tray, horizontal	RB 45 330 FT	35	300	FT	6036014
45° bend for cable tray, horizontal	RB 45 610 FT	60	100	FT	6036130
45° bend for cable tray, horizontal	RB 45 615 FT	60	150	FT	6036132
45° bend for cable tray, horizontal	RB 45 620 FT	60	200	FT	6036134
45° bend for cable tray, horizontal	RB 45 630 FT	60	300	FT	6036136
45° bend for cable tray, horizontal	RB 45 640 FT	60	400	FT	6036138
45° bend for cable tray, horizontal	RB 45 650 FT	60	500	FT	6036140
45° bend for cable tray, horizontal	RB 45 660 FT	60	600	FT	6036142
45° bend for cable tray, horizontal	RB 45 810 FT	85	100	FT	6036230

Technical data

Designation	Type	Side height mm	Width mm	Surface	Item no.
45° bend for cable tray, horizontal	RB 45 820 FT	85	200	FT	6036232
45° bend for cable tray, horizontal	RB 45 830 FT	85	300	FT	6036234
45° bend for cable tray, horizontal	RB 45 840 FT	85	400	FT	6036236
45° bend for cable tray, horizontal	RB 45 850 FT	85	500	FT	6036238
45° bend for cable tray, horizontal	RB 45 860 FT	85	600	FT	6036240
45° bend for cable tray, horizontal	RB 45 110 FT	110	100	FT	6036330
45° bend for cable tray, horizontal	RB 45 120 FT	110	200	FT	6036332
45° bend for cable tray, horizontal	RB 45 130 FT	110	300	FT	6036334
45° bend for cable tray, horizontal	RB 45 140 FT	110	400	FT	6036336
45° bend for cable tray, horizontal	RB 45 150 FT	110	500	FT	6036338
45° bend for cable tray, horizontal	RB 45 160 FT	110	600	FT	6036340
Adjustable bend, horizontal	RB W 610 FS	60	100	FS	6037100
Adjustable bend, horizontal	RB W 615 FS	60	150	FS	6037102
Adjustable bend, horizontal	RB W 620 FS	60	200	FS	6037104
Adjustable bend, horizontal	RB W 630 FS	60	300	FS	6037106
Adjustable bend, horizontal	RB W 640 FS	60	400	FS	6037108
Adjustable bend, horizontal	RB W 650 FS	60	500	FS	6037110
Adjustable bend, horizontal	RB W 660 FS	60	600	FS	6037112
Adjustable bend, horizontal	RB W 810 FS	85	100	FS	6037200
Adjustable bend, horizontal	RB W 820 FS	85	200	FS	6037202
Adjustable bend, horizontal	RB W 830 FS	85	300	FS	6037204
Adjustable bend, horizontal	RB W 840 FS	85	400	FS	6037206
Adjustable bend, horizontal	RB W 850 FS	85	500	FS	6037208
Adjustable bend, horizontal	RB W 860 FS	85	600	FS	6037210
Adjustable bend, horizontal	RB W 110 FS	110	100	FS	6037300
Adjustable bend, horizontal	RB W 115 FS	110	150	FS	6037302
Adjustable bend, horizontal	RB W 120 FS	110	200	FS	6037304
Adjustable bend, horizontal	RB W 130 FS	110	300	FS	6037306
Adjustable bend, horizontal	RB W 140 FS	110	400	FS	6037308
Adjustable bend, horizontal	RB W 150 FS	110	500	FS	6037310
Adjustable bend, horizontal	RB W 160 FS	110	600	FS	6037312
Adjustable bend, horizontal	RB W 610 FT	60	100	FT	6037120
Adjustable bend, horizontal	RB W 615 FT	60	150	FT	6037122
Adjustable bend, horizontal	RB W 620 FT	60	200	FT	6037124
Adjustable bend, horizontal	RB W 630 FT	60	300	FT	6037126
Adjustable bend, horizontal	RB W 640 FT	60	400	FT	6037128
Adjustable bend, horizontal	RB W 650 FT	60	500	FT	6037130
Adjustable bend, horizontal	RB W 660 FT	60	600	FT	6037132
Adjustable bend, horizontal	RB W 810 FT	85	100	FT	6037220

Designation	Type	Side height mm	Width mm	Surface	Item no.
Adjustable bend, horizontal	RB W 820 FT	85	200	FT	6037222
Adjustable bend, horizontal	RB W 830 FT	85	300	FT	6037225
Adjustable bend, horizontal	RB W 840 FT	85	400	FT	6037226
Adjustable bend, horizontal	RB W 850 FT	85	500	FT	6037228
Adjustable bend, horizontal	RB W 860 FT	85	600	FT	6037230
Adjustable bend, horizontal	RB W 110 FT	110	100	FT	6037320
Adjustable bend, horizontal	RB W 115 FT	110	150	FT	6037322
Adjustable bend, horizontal	RB W 120 FT	110	200	FT	6037324
Adjustable bend, horizontal	RB W 130 FT	110	300	FT	6037326
Adjustable bend, horizontal	RB W 140 FT	110	400	FT	6037328
Adjustable bend, horizontal	RB W 150 FT	110	500	FT	6037330
Adjustable bend, horizontal	RB W 160 FT	110	600	FT	6037332
Adjustable bend, horizontal	RB W 610 A2	60	100	A2	6037150
Adjustable bend, horizontal	RB W 620 A2	60	200	A2	6037154
Adjustable bend, horizontal	RB W 630 A2	60	300	A2	6037156
Adjustable bend, horizontal	RB W 640 A2	60	400	A2	6037158
Adjustable bend, horizontal	RB W 650 A2	60	500	A2	6037160
Adjustable bend, horizontal	RB W 660 A2	60	600	A2	6037162
Adjustable bend, horizontal	RB W 610 A4	60	100	A4	6037170
Adjustable bend, horizontal	RB W 620 A4	60	200	A4	6037174
Adjustable bend, horizontal	RB W 630 A4	60	300	A4	6037176
Adjustable bend, horizontal	RB W 640 A4	60	400	A4	6037178
Adjustable bend, horizontal	RB W 650 A4	60	500	A4	6037180
Adjustable bend, horizontal	RB W 660 A4	60	600	A4	6037182
Add-on tee for cable tray	RAA 310 FS	35	100	FS	6042101
Add-on tee for cable tray	RAA 320 FS	35	200	FS	6042103
Add-on tee for cable tray	RAA 330 FS	35	300	FS	6042105
Add-on tee for cable tray	RAA 610 FS	60	100	FS	6042111
Add-on tee for cable tray	RAA 615 FS	60	150	FS	6042113
Add-on tee for cable tray	RAA 620 FS	60	200	FS	6042115
Add-on tee for cable tray	RAA 630 FS	60	300	FS	6042117
Add-on tee for cable tray	RAA 640 FS	60	400	FS	6042119
Add-on tee for cable tray	RAA 650 FS	60	500	FS	6042121
Add-on tee for cable tray	RAA 660 FS	60	600	FS	6042123
Add-on tee for cable tray	RAA 810 FS	85	100	FS	6042131
Add-on tee for cable tray	RAA 820 FS	85	200	FS	6042133
Add-on tee for cable tray	RAA 830 FS	85	300	FS	6042135
Add-on tee for cable tray	RAA 840 FS	85	400	FS	6042137

Technical data

Designation	Type	Side height mm	Width mm	Surface	Item no.
Add-on tee for cable tray	RAA 850 FS	85	500	FS	6042141
Add-on tee for cable tray	RAA 860 FS	85	600	FS	6042143
Add-on tee for cable tray	RAA 110 FS	110	100	FS	6042151
Add-on tee for cable tray	RAA 115 FS	110	150	FS	6042153
Add-on tee for cable tray	RAA 120 FS	110	200	FS	6042155
Add-on tee for cable tray	RAA 130 FS	110	300	FS	6042157
Add-on tee for cable tray	RAA 140 FS	110	400	FS	6042159
Add-on tee for cable tray	RAA 150 FS	110	500	FS	6042161
Add-on tee for cable tray	RAA 160 FS	110	600	FS	6042163
Add-on tee for cable tray	RAA 310 FT	35	100	FT	6042201
Add-on tee for cable tray	RAA 320 FT	35	200	FT	6042203
Add-on tee for cable tray	RAA 330 FT	35	300	FT	6042205
Add-on tee for cable tray	RAA 610 FT	60	100	FT	6042211
Add-on tee for cable tray	RAA 615 FT	60	150	FT	6042213
Add-on tee for cable tray	RAA 620 FT	60	200	FT	6042215
Add-on tee for cable tray	RAA 630 FT	60	300	FT	6042217
Add-on tee for cable tray	RAA 640 FT	60	400	FT	6042219
Add-on tee for cable tray	RAA 650 FT	60	500	FT	6042221
Add-on tee for cable tray	RAA 660 FT	60	600	FT	6042223
Add-on tee for cable tray	RAA 810 FT	85	100	FT	6042231
Add-on tee for cable tray	RAA 820 FT	85	200	FT	6042233
Add-on tee for cable tray	RAA 830 FT	85	300	FT	6042235
Add-on tee for cable tray	RAA 840 FT	85	400	FT	6042237
Add-on tee for cable tray	RAA 850 FT	85	500	FT	6042241
Add-on tee for cable tray	RAA 860 FT	85	600	FT	6042243
Add-on tee for cable tray	RAA 110 FT	110	100	FT	6042251
Add-on tee for cable tray	RAA 115 FT	110	150	FT	6042253
Add-on tee for cable tray	RAA 120 FT	110	200	FT	6042255
Add-on tee for cable tray	RAA 130 FT	110	300	FT	6042257
Add-on tee for cable tray	RAA 140 FT	110	400	FT	6042259
Add-on tee for cable tray	RAA 150 FT	110	500	FT	6042261
Add-on tee for cable tray	RAA 160 FT	110	600	FT	6042263
Add-on tee for cable tray	RAA 610 A2	60	100	A2	6042311
Add-on tee for cable tray	RAA 615 A2	60	150	A2	6042313
Add-on tee for cable tray	RAA 620 A2	60	200	A2	6042315
Add-on tee for cable tray	RAA 630 A2	60	300	A2	6042318
Add-on tee for cable tray	RAA 640 A2	60	400	A2	6042319
Add-on tee for cable tray	RAA 650 A2	60	500	A2	6042321
Add-on tee for cable tray	RAA 660 A2	60	600	A2	6042341

Designation	Type	Side height mm	Width mm	Surface	Item no.
Add-on tee for cable tray	RAA 110 A2	110	100	A2	6042345
Add-on tee for cable tray	RAA 120 A2	110	200	A2	6042347
Add-on tee for cable tray	RAA 130 A2	110	300	A2	6042349
Add-on tee for cable tray	RAA 140 A2	110	400	A2	6042351
Add-on tee for cable tray	RAA 150 A2	110	500	A2	6042353
Add-on tee for cable tray	RAA 160 A2	110	600	A2	6042355
Add-on tee for cable tray	RAA 610 A4	60	100	A4	6042371
Add-on tee for cable tray	RAA 615 A4	60	150	A4	6042373
Add-on tee for cable tray	RAA 620 A4	60	200	A4	6042375
Add-on tee for cable tray	RAA 630 A4	60	300	A4	6042377
Add-on tee for cable tray	RAA 640 A4	60	400	A4	6042379
Add-on tee for cable tray	RAA 650 A4	60	500	A4	6042381
Add-on tee for cable tray	RAA 660 A4	60	600	A4	6042383
T piece for cable tray, horizontal	RT 310 FS	35	100	FS	6038000
T piece for cable tray, horizontal	RT 320 FS	35	200	FS	6038002
T piece for cable tray, horizontal	RT 330 FS	35	300	FS	6038004
T piece for cable tray, horizontal	RT 610 FS	60	100	FS	6038100
T piece for cable tray, horizontal	RT 615 FS	60	150	FS	6038102
T piece for cable tray, horizontal	RT 620 FS	60	200	FS	6038104
T piece for cable tray, horizontal	RT 630 FS	60	300	FS	6038106
T piece for cable tray, horizontal	RT 640 FS	60	400	FS	6038108
T piece for cable tray, horizontal	RT 650 FS	60	500	FS	6038110
T piece for cable tray, horizontal	RT 660 FS	60	600	FS	6038112
T piece for cable tray, horizontal	RT 810 FS	85	100	FS	6038210
T piece for cable tray, horizontal	RT 820 FS	85	200	FS	6038212
T piece for cable tray, horizontal	RT 830 FS	85	300	FS	6038214
T piece for cable tray, horizontal	RT 840 FS	85	400	FS	6038216
T piece for cable tray, horizontal	RT 850 FS	85	500	FS	6038218
T piece for cable tray, horizontal	RT 850 FS	85	600	FS	6038220
T piece for cable tray, horizontal	RT 110 FS	110	100	FS	6038300
T piece for cable tray, horizontal	RT 115 FS	110	150	FS	6038302
T piece for cable tray, horizontal	RT 120 FS	110	200	FS	6038304
T piece for cable tray, horizontal	RT 130 FS	110	300	FS	6038306
T piece for cable tray, horizontal	RT 140 FS	110	400	FS	6038308
T piece for cable tray, horizontal	RT 150 FS	110	500	FS	6038310
T piece for cable tray, horizontal	RT 160 FS	110	600	FS	6038312
T piece for cable tray, horizontal	RT 310 FT	35	100	FT	6038010
T piece for cable tray, horizontal	RT 320 FT	35	200	FT	6038012

Technical data

Designation	Type	Side height mm	Width mm	Surface	Item no.
T piece for cable tray, horizontal	RT 330 FT	35	300	FT	6038014
T piece for cable tray, horizontal	RT 610 FT	60	100	FT	6038130
T piece for cable tray, horizontal	RT 615 FT	60	150	FT	6038132
T piece for cable tray, horizontal	RT 620 FT	60	200	FT	6038134
T piece for cable tray, horizontal	RT 630 FT	60	300	FT	6038136
T piece for cable tray, horizontal	RT 640 FT	60	400	FT	6038138
T piece for cable tray, horizontal	RT 650 FT	60	500	FT	6038140
T piece for cable tray, horizontal	RT 660 FT	60	600	FT	6038142
T piece for cable tray, horizontal	RT 810 FT	85	100	FT	6038230
T piece for cable tray, horizontal	RT 820 FT	85	200	FT	6038232
T piece for cable tray, horizontal	RT 830 FT	85	300	FT	6038234
T piece for cable tray, horizontal	RT 840 FT	85	400	FT	6038236
T piece for cable tray, horizontal	RT 850 FT	85	500	FT	6038238
T piece for cable tray, horizontal	RT 860 FT	85	600	FT	6038240
T piece for cable tray, horizontal	RT 110 FT	110	100	FT	6038320
T piece for cable tray, horizontal	RT 115 FT	110	150	FT	6038322
T piece for cable tray, horizontal	RT 120 FT	110	200	FT	6038324
T piece for cable tray, horizontal	RT 130 FT	110	300	FT	6038326
T piece for cable tray, horizontal	RT 140 FT	110	400	FT	6038328
T piece for cable tray, horizontal	RT 150 FT	110	500	FT	6038330
T piece for cable tray, horizontal	RT 160 FT	110	600	FT	6038332
T piece for cable tray, horizontal	RT 610 A2	60	100	A2	6038160
T piece for cable tray, horizontal	RT 620 A2	60	200	A2	6038162
T piece for cable tray, horizontal	RT 630 A2	60	300	A2	6038164
T piece for cable tray, horizontal	RT 640 A2	60	400	A2	6038166
T piece for cable tray, horizontal	RT 650 A2	60	500	A2	6038168
T piece for cable tray, horizontal	RT 660 A2	60	600	A2	6038170
T piece for cable tray, horizontal	RT 110 A2	110	100	A2	6038360
T piece for cable tray, horizontal	RT 120 A2	110	200	A2	6038362
T piece for cable tray, horizontal	RT 130 A2	110	300	A2	6038364
T piece for cable tray, horizontal	RT 140 A2	110	400	A2	6038366
T piece for cable tray, horizontal	RT 150 A2	110	500	A2	6038368
T piece for cable tray, horizontal	RT 160 A2	110	600	A2	6038370
T piece for cable tray, horizontal	RT 610 A4	60	100	A4	6038180
T piece for cable tray, horizontal	RT 620 A4	60	200	A4	6038182
T piece for cable tray, horizontal	RT 630 A4	60	300	A4	6038184
T piece for cable tray, horizontal	RT 640 A4	60	400	A4	6038186
T piece for cable tray, horizontal	RT 650 A4	60	500	A4	6038188
T piece for cable tray, horizontal	RT 660 A4	60	600	A4	6038190

Designation	Type	Side height mm	Width mm	Surface	Item no.
Cross-over for cable tray	RK 310 FS	35	100	FS	7027301
Cross-over for cable tray	RK 320 FS	35	200	FS	7027303
Cross-over for cable tray	RK 330 FS	35	300	FS	7027305
Cross-over for cable tray	RK 610 FS	60	100	FS	7027311
Cross-over for cable tray	RK 620 FS	60	200	FS	7027313
Cross-over for cable tray	RK 630 FS	60	300	FS	7027315
Cross-over for cable tray	RK 640 FS	60	400	FS	7027317
Cross-over for cable tray	RK 650 FS	60	500	FS	7027319
Cross-over for cable tray	RK 660 FS	60	600	FS	7027321
Cross-over for cable tray	RK 810 FS	85	100	FS	7027331
Cross-over for cable tray	RK 820 FS	85	200	FS	7027333
Cross-over for cable tray	RK 830 FS	85	300	FS	7027335
Cross-over for cable tray	RK 840 FS	85	400	FS	7027337
Cross-over for cable tray	RK 850 FS	85	500	FS	7027339
Cross-over for cable tray	RK 860 FS	85	600	FS	7027341
Cross-over for cable tray	RK 110 FS	110	100	FS	7027351
Cross-over for cable tray	RK 120 FS	110	200	FS	7027353
Cross-over for cable tray	RK 130 FS	110	300	FS	7027355
Cross-over for cable tray	RK 140 FS	110	400	FS	7027357
Cross-over for cable tray	RK 150 FS	110	500	FS	7027361
Cross-over for cable tray	RK 160 FS	110	600	FS	7027363
Cross-over for cable tray	RK 310 FT	35	100	FT	7027401
Cross-over for cable tray	RK 320 FT	35	200	FT	7027403
Cross-over for cable tray	RK 330 FT	35	300	FT	7027405
Cross-over for cable tray	RK 610 FT	60	100	FT	7027411
Cross-over for cable tray	RK 620 FT	60	200	FT	7027413
Cross-over for cable tray	RK 630 FT	60	300	FT	7027415
Cross-over for cable tray	RK 640 FT	60	400	FT	7027417
Cross-over for cable tray	RK 650 FT	60	500	FT	7027419
Cross-over for cable tray	RK 660 FT	60	600	FT	7027421
Cross-over for cable tray	RK 810 FT	85	100	FT	7027431
Cross-over for cable tray	RK 820 FT	85	200	FT	7027433
Cross-over for cable tray	RK 830 FT	85	300	FT	7027435
Cross-over for cable tray	RK 840 FT	85	400	FT	7027437
Cross-over for cable tray	RK 850 FT	85	500	FT	7027439
Cross-over for cable tray	RK 860 FT	85	600	FT	7027441
Cross-over for cable tray	RK 110 FT	110	100	FT	7027451
Cross-over for cable tray	RK 120 FT	110	200	FT	7027453

Technical data

Designation	Type	Side height mm	Width mm	Surface	Item no.
Cross-over for cable tray	RK 130 FT	110	300	FT	7027455
Cross-over for cable tray	RK 140 FT	110	400	FT	7027457
Cross-over for cable tray	RK 150 FT	110	500	FT	7027461
Cross-over for cable tray	RK 160 FT	110	600	FT	7027463
Cross-over for cable tray	RK 610 A2	60	100	A2	7027501
Cross-over for cable tray	RK 620 A2	60	200	A2	7027503
Cross-over for cable tray	RK 630 A2	60	300	A2	7027505
Cross-over for cable tray	RK 640 A2	60	400	A2	7027507
Cross-over for cable tray	RK 650 A2	60	500	A2	7027509
Cross-over for cable tray	RK 660 A2	60	600	A2	7027511
Cross-over for cable tray	RK 610 A4	60	100	A4	7027520
Cross-over for cable tray	RK 620 A4	60	200	A4	7027522
Cross-over for cable tray	RK 630 A4	60	300	A4	7027524
Cross-over for cable tray	RK 640 A4	60	400	A4	7027526
Cross-over for cable tray	RK 650 A4	60	500	A4	7027528
Cross-over for cable tray	RK 660 A4	60	600	A4	7027530

Accessories, fittings

Designation	Type	Width mm	Surface	Item no.
Double clamp for fastening fittings	DOP A2	13	A2	6035998

Designation	Type	Dimension mm	Resistance	Surface	Item no.
FRS truss-head bolt with combination nut	FRSB 6x12 G	M6x 12	5.6	G	6406130
FRS truss-head bolt with combination nut	FRSB 6x 12 F	M6x 12	5.6	F	6406122
FRS truss-head bolt with combination nut	FRSB 6x12 A2	M6x 12	A2-70	A2	6406138
FRS truss-head bolt with combination nut	FRSB 6x12 A4	M6x 12	A4-50	A4	6406142

Covers length 3,000 mm

Designation	Type	Side height mm	Surface	Item no.
Cover with turn buckle	DRL 100 FS	100	FS	6052096
Cover with turn buckle	DRL 150 FS	150	FS	6052150
Cover with turn buckle	DRL 200 FS	200	FS	6052207
Cover with turn buckle	DRL 300 FS	300	FS	6052304
Cover with turn buckle	DRL 400 FS	400	FS	6052401
Cover with turn buckle	DRL 500 FS	500	FS	6052509
Cover with turn buckle	DRL 550 FS	550	FS	6052568
Cover with turn buckle	DRL 600 FS	600	FS	6052606
Cover with turn buckle	DRL 100 FT	100	FT	6051340

Designation	Type	Side height mm	Surface	Item no.
Cover with turn buckle	DRL 150 FT	150	FT	6051359
Cover with turn buckle	DRL 200 FT	200	FT	6051367
Cover with turn buckle	DRL 300 FT	300	FT	6051383
Cover with turn buckle	DRL 400 FT	400	FT	6051413
Cover with turn buckle	DRL 500 FT	500	FT	6051448
Cover with turn buckle	DRL 600 FT	600	FT	6051472
Cover with turn buckle	DRL 100 DD	100	DD	6052703
Cover with turn buckle	DRL 150 DD	150	DD	6052706
Cover with turn buckle	DRL 200 DD	200	DD	6052709
Cover with turn buckle	DRL 300 DD	300	DD	6052712
Cover with turn buckle	DRL 400 DD	400	DD	6052715
Cover with turn buckle	DRL 500 DD	500	DD	6052718
Cover with turn buckle	DRL 550 DD	550	DD	6052721
Cover with turn buckle	DRL 600 DD	600	DD	6052724
Cover with turn buckle	DRL 100 A2	100	A2	6052878
Cover with turn buckle	DRL 150 A2	150	A2	6052886
Cover with turn buckle	DRL 200 A2	200	A2	6052894
Cover with turn buckle	DRL 300 A2	300	A2	6052908
Cover with turn buckle	DRL 400 A2	400	A2	6052932
Cover with turn buckle	DRL 500 A2	500	A2	6052959
Cover with turn buckle	DRL 600 A2	600	A2	6052975
Cover with turn buckle	DRL 100 A4	100	A4	6052980
Cover with turn buckle	DRL 150 A4	150	A4	6052982
Cover with turn buckle	DRL 200 A4	200	A4	6052981
Cover with turn buckle	DRL 300 A4	300	A4	6052983
Cover with turn buckle	DRL 400 A4	400	A4	6052984
Cover with turn buckle	DRL 500 A4	500	A4	6052985
Cover with turn buckle	DRL 600 A4	600	A4	6052986
Cover, unperforated	DRLU 050 FS	50	FS	6052056
Cover, unperforated	DRLU 100 FS	100	FS	6052103
Cover, unperforated	DRLU 150 FS	150	FS	6052153
Cover, unperforated	DRLU 200 FS	200	FS	6052210
Cover, unperforated	DRLU 300 FS	300	FS	6052307
Cover, unperforated	DRLU 400 FS	400	FS	6052406
Cover, unperforated	DRLU 500 FS	500	FS	6052512
Cover, unperforated	DRLU 550 FS	550	FS	6052571
Cover, unperforated	DRLU 600 FS	600	FS	6052609
Cover, unperforated	DRLU 050 DD	50	DD	6052640
Cover, unperforated	DRLU 100 DD	100	DD	6052643

Technical data

Designation	Type	Side height mm	Surface	Item no.
Cover, unperforated	DRLU 150 DD	150	DD	6052647
Cover, unperforated	DRLU 200 DD	200	DD	6052650
Cover, unperforated	DRLU 300 DD	300	DD	6052656
Cover, unperforated	DRLU 400 DD	400	DD	6052662
Cover, unperforated	DRLU 500 DD	500	DD	6052668
Cover, unperforated	DRLU 600 DD	550	DD	6052671
Cover, unperforated	DRLU 050 DD	600	DD	6052674
Cover, unperforated	DRLU 050 FT	50	FT	6052000
Cover, unperforated	DRLU 100 FT	100	FT	6052002
Cover, unperforated	DRLU 200 FT	200	FT	6052004
Cover, unperforated	DRLU 300 FT	300	FT	6052006
Cover, unperforated	DRLU 400 FT	400	FT	6052008
Cover, unperforated	DRLU 500 FT	500	FT	6052010
Cover, unperforated	DRLU 600 FT	600	FT	6052012
Cover, unperforated	DRLU 050 A2	50	A2	6052821
Cover, unperforated	DRLU 100 A2	100	A2	6052824
Cover, unperforated	DRLU 150 A2	150	A2	6052828
Cover, unperforated	DRLU 200 A2	200	A2	6052831
Cover, unperforated	DRLU 300 A2	300	A2	6052834
Cover, unperforated	DRLU 400 A2	400	A2	6052837
Cover, unperforated	DRLU 500 A2	500	A2	6052841
Cover, unperforated	DRLU 600 A2	600	A2	6052844
Cover, unperforated	DRLU 050 A4	50	A4	6052978
Cover, unperforated	DRLU 100 A4	100	A4	6052991
Cover, unperforated	DRLU 150 A4	150	A4	6052992
Cover, unperforated	DRLU 200 A4	200	A4	6052993
Cover, unperforated	DRLU 300 A4	300	A4	6052994
Cover, unperforated	DRLU 400 A4	400	A4	6052995
Cover, unperforated	DRLU 500 A4	500	A4	6052996
Cover, unperforated	DRLU 600 A4	600	A4	6052997

Covers for fittings

Designation	Type	Width mm	Surface	Item no.
Cover for 90° bend	RBD 90 100 FS	100	FS	6036900
Cover for 90° bend	RBD 90 150 FS	150	FS	6036902
Cover for 90° bend	RBD 90 200 FS	200	FS	6036904
Cover for 90° bend	RBD 90 300 FS	300	FS	6036906
Cover for 90° bend	RBD 90 400 FS	400	FS	6036908
Cover for 90° bend	RBD 90 500 FS	500	FS	6036910

Designation	Type	Width mm	Surface	Item no.
Cover for 90° bend	RBD 90 600 FS	600	FS	6036912
Cover for 90° bend	RBD 90 500 A2	500	A2	6036980
Cover for 90° bend	RBD 90 600 A2	600	A2	6036982
Cover for 90° bend	RBD 90 100 A2	100	A2	6036970
Cover for 90° bend	RBD 90 150 A2	150	A2	6036972
Cover for 90° bend	RBD 90 200 A2	200	A2	6036974
Cover for 90° bend	RBD 90 300 A2	300	A2	6036976
Cover for 90° bend	RBD 90 400 A2	400	A2	6036978
Cover for 90° bend	RBD 90 100 A4	100	A4	6036986
Cover for 90° bend	RBD 90 150 A4	150	A4	6036988
Cover for 90° bend	RBD 90 200 A4	200	A4	6036990
Cover for 90° bend	RBD 90 300 A4	300	A4	6036992
Cover for 90° bend	RBD 90 400 A4	400	A4	6036990
Cover for 90° bend	RBD 90 500 A4	500	A4	6036996
Cover for 90° bend	RBD 90 600 A4	600	A4	6036998
Cover for 90° bend	RBD 90 100 DD	100	DD	6036950
Cover for 90° bend	RBD 90 150 DD	150	DD	6036952
Cover for 90° bend	RBD 90 200 DD	200	DD	6036954
Cover for 90° bend	RBD 90 300 DD	300	DD	6036956
Cover for 90° bend	RBD 90 400 DD	400	DD	6036958
Cover for 90° bend	RBD 90 500 DD	500	DD	6036960
Cover for 90° bend	RBD 90 600 DD	600	DD	6036962
Cover for 45° bend	RBD 45 100 FS	100	FS	6036400
Cover for 45° bend	RBD 45 150 FS	150	FS	6036402
Cover for 45° bend	RBD 45 200 FS	200	FS	6036404
Cover for 45° bend	RBD 45 300 FS	300	FS	6036407
Cover for 45° bend	RBD 45 400 FS	400	FS	6036408
Cover for 45° bend	RBD 45 500 FS	500	FS	6036410
Cover for 45° bend	RBD 45 600 FS	600	FS	6036412
Cover for 45° bend	RBD 45 100 DD	100	DD	6036450
Cover for 45° bend	RBD 45 150 DD	150	DD	6036452
Cover for 45° bend	RBD 45 200 DD	200	DD	6036454
Cover for 45° bend	RBD 45 300 DD	300	DD	6036456
Cover for 45° bend	RBD 45 400 DD	400	DD	6036458
Cover for 45° bend	RBD 45 500 DD	500	DD	6036460
Cover for 45° bend	RBD 45 600 DD	600	DD	6036462
Cover for bend, angle-adjustable	RBD W 100 FS	100	FS	6037500
Cover for bend, angle-adjustable	RBD W 150 FS	150	FS	6037502
Cover for bend, angle-adjustable	RBD W 200 FS	200	FS	6037504

Technical data

Designation	Type	Width mm	Surface	Item no.
Cover for bend, angle-adjustable	RBD W 300 FS	300	FS	6037506
Cover for bend, angle-adjustable	RBD W 400 FS	400	FS	6037508
Cover for bend, angle-adjustable	RBD W 500 FS	500	FS	6037510
Cover for bend, angle-adjustable	RBD W 600 FS	600	FS	6037512
Cover for bend, angle-adjustable	RBD W 100 A2	100	A2	6037560
Cover for bend, angle-adjustable	RBD W 200 A2	200	A2	6037562
Cover for bend, angle-adjustable	RBD W 300 A2	300	A2	6037564
Cover for bend, angle-adjustable	RBD W 400 A2	400	A2	6037566
Cover for bend, angle-adjustable	RBD W 500 A2	500	A2	6037568
Cover for bend, angle-adjustable	RBD W 600 A2	600	A2	6037570
Cover for bend, angle-adjustable	RBD W 100 A4	100	A4	6037572
Cover for bend, angle-adjustable	RBD W 200 A4	200	A4	6037574
Cover for bend, angle-adjustable	RBD W 300 A4	300	A4	6037576
Cover for bend, angle-adjustable	RBD W 400 A4	400	A4	6037578
Cover for bend, angle-adjustable	RBD W 500 A4	500	A4	6037580
Cover for bend, angle-adjustable	RBD W 600 A4	600	A4	6037582
Cover for bend, angle-adjustable	RBD W 100 DD	100	DD	6037540
Cover for bend, angle-adjustable	RBD W 150 DD	150	DD	6037542
Cover for bend, angle-adjustable	RBD W 200 DD	200	DD	6037544
Cover for bend, angle-adjustable	RBD W 300 DD	300	DD	6037546
Cover for bend, angle-adjustable	RBD W 400 DD	400	DD	6037548
Cover for bend, angle-adjustable	RBD W 500 DD	500	DD	6037550
Cover for bend, angle-adjustable	RBD W 600 DD	600	DD	6037552
Cover for add-on tee	RAAD 100 FS	100	FS	6042401
Cover for add-on tee	RAAD 150 FS	150	FS	6042403
Cover for add-on tee	RAAD 200 FS	200	FS	6042405
Cover for add-on tee	RAAD 300 FS	300	FS	6042407
Cover for add-on tee	RAAD 400 FS	400	FS	6042409
Cover for add-on tee	RAAD 500 FS	500	FS	6042411
Cover for add-on tee	RAAD 600 FS	600	FS	6042413
Cover for add-on tee	RAAD 100 A2	100	A2	6042451
Cover for add-on tee	RAAD 150 A2	150	A2	6042453
Cover for add-on tee	RAAD 200 A2	200	A2	6042455
Cover for add-on tee	RAAD 300 A2	300	A2	6042457
Cover for add-on tee	RAAD 400 A2	400	A2	6042459
Cover for add-on tee	RAAD 500 A2	500	A2	6042461
Cover for add-on tee	RAAD 600 A2	600	A2	6042463
Cover for add-on tee	RAAD 100 A4	100	A4	6042471
Cover for add-on tee	RAAD 150 A4	150	A4	6042473

Designation	Type	Width mm	Surface	Item no.
Cover for add-on tee	RAAD 200 A4	200	A4	6042475
Cover for add-on tee	RAAD 300 A4	300	A4	6042477
Cover for add-on tee	RAAD 400 A4	400	A4	6042479
Cover for add-on tee	RAAD 500 A4	500	A4	6042481
Cover for add-on tee	RAAD 600 A4	600	A4	6042483
Cover for add-on tee	RAAD 100 DD	100	DD	6042431
Cover for add-on tee	RAAD 150 DD	150	DD	6042433
Cover for add-on tee	RAAD 200 DD	200	DD	6042435
Cover for add-on tee	RAAD 300 DD	300	DD	6042437
Cover for add-on tee	RAAD 400 DD	400	DD	6042439
Cover for add-on tee	RAAD 500 DD	500	DD	6042441
Cover for add-on tee	RAAD 600 DD	600	DD	6042443
Cover for T piece	RTD 100 FS	100	FS	6038600
Cover for T piece	RTD 150 FS	150	FS	6038602
Cover for T piece	RTD 200 FS	200	FS	6038604
Cover for T piece	RTD 300 FS	300	FS	6038606
Cover for T piece	RTD 400 FS	400	FS	6038608
Cover for T piece	RTD 500 FS	500	FS	6038610
Cover for T piece	RTD 600 FS	600	FS	6038612
Cover for T piece	RTD 100 A2	100	A2	6038661
Cover for T piece	RTD 200 A2	200	A2	6038662
Cover for T piece	RTD 300 A2	300	A2	6038664
Cover for T piece	RTD 400 A2	400	A2	6038666
Cover for T piece	RTD 500 A2	500	A2	6038668
Cover for T piece	RTD 600 A2	600	A2	6038670
Cover for T piece	RTD 100 A4	100	A4	6038680
Cover for T piece	RTD 200 A4	200	A4	6038682
Cover for T piece	RTD 300 A4	300	A4	6038684
Cover for T piece	RTD 400 A4	400	A4	6038686
Cover for T piece	RTD 500 A4	500	A4	6038688
Cover for T piece	RTD 600 A4	600	A4	6038690
Cover for T piece	RTD 100 DD	100	DD	6038640
Cover for T piece	RTD 150 DD	150	DD	6038642
Cover for T piece	RTD 200 DD	200	DD	6038644
Cover for T piece	RTD 300 DD	300	DD	6038646
Cover for T piece	RTD 400 DD	400	DD	6038648
Cover for T piece	RTD 500 DD	500	DD	6038650
Cover for T piece	RTD 600 DD	600	DD	6038652
Cover for cross-over	RKD 100 FS	100	FS	7027800

Technical data

Designation	Type	Width mm	Surface	Item no.
Cover for cross-over	RKD 200 FS	200	FS	7027802
Cover for cross-over	RKD 300 FS	300	FS	7027804
Cover for cross-over	RKD 400 FS	400	FS	7027806
Cover for cross-over	RKD 500 FS	500	FS	7027808
Cover for cross-over	RKD 600 FS	600	FS	7027810
Cover for cross-over	RKD 100 A2	100	A2	7027860
Cover for cross-over	RKD 200 A2	200	A2	7027862
Cover for cross-over	RKD 300 A2	300	A2	7027864
Cover for cross-over	RKD 400 A2	400	A2	7027866
Cover for cross-over	RKD 500 A2	500	A2	7027868
Cover for cross-over	RKD 600 A2	600	A2	7027870
Cover for cross-over	RKD 100 A4	100	A4	7027880
Cover for cross-over	RKD 200 A4	200	A4	7027882
Cover for cross-over	RKD 300 A4	300	A4	7027884
Cover for cross-over	RKD 400 A4	400	A4	7027886
Cover for cross-over	RKD 500 A4	500	A4	7027888
Cover for cross-over	RKD 600 A4	600	A4	7027890
Cover for cross-over	RKD 100 DD	100	DD	7027840
Cover for cross-over	RKD 200 DD	200	DD	7027842
Cover for cross-over	RKD 300 DD	300	DD	7027844
Cover for cross-over	RKD 400 DD	400	DD	7027846
Cover for cross-over	RKD 500 DD	500	DD	7027848
Cover for cross-over	RKD 600 DD	600	DD	7027850

Accessories, covers

Designation	Type	Dimensions mm	Surface	Item no.
Cover clamp, universal	DK DRLU A2	25 x 18 x 18 (LxWxH)	A2	6052810
Turn buckle, for cover, for rivets	DRL H FT		FT	6065012
Turn buckle, for cover, for screws	DRL H S FT		FT	6065018
Turn buckle, for cover, for screws	DRL H S A2		A2	6065016

Floor end plates

Designation	Type	Width mm	Surface	Item no.
Bottom end plate	BEB 100 FS	100	FS	7083106
Bottom end plate	BEB 150 FS	150	FS	7083157
Bottom end plate	BEB 200 FS	200	FS	7083203
Bottom end plate	BEB 300 FS	300	FS	7083300
Bottom end plate	BEB 400 FS	400	FS	7083408
Bottom end plate	BEB 500 FS	500	FS	7083505

Designation	Type	Width mm	Surface	Item no.
Bottom end plate	BEB 550 FS	550	FS	7083556
Bottom end plate	BEB 600 FS	600	FS	7083602
Bottom end plate	BEB 100 DD	100	DD	7083618
Bottom end plate	BEB 150 DD	150	DD	7083622
Bottom end plate	BEB 200 DD	200	DD	7083626
Bottom end plate	BEB 300 DD	300	DD	7083630
Bottom end plate	BEB 400 DD	400	DD	7083634
Bottom end plate	BEB 500 DD	500	DD	7083638
Bottom end plate	BEB 550 DD	550	DD	7083640
Bottom end plate	BEB 600 DD	600	DD	7083642
Bottom end plate	BEB 100 A2	100	A2	7084013
Bottom end plate	BEB 150 A2	150	A2	7084015
Bottom end plate	BEB 200 A2	200	A2	7084048
Bottom end plate	BEB 300 A2	300	A2	7084064
Bottom end plate	BEB 400 A2	400	A2	7084080
Bottom end plate	BEB 500 A2	500	A2	7084102
Bottom end plate	BEB 600 A2	600	A2	7084129
Bottom end plate	BEB 100 A4	100	A4	7084141
Bottom end plate	BEB 150 A4	150	A4	7084142
Bottom end plate	BEB 200 A4	200	A4	7084143
Bottom end plate	BEB 300 A4	300	A4	7084145
Bottom end plate	BEB 400 A4	400	A4	7084147
Bottom end plate	BEB 500 A4	500	A4	7084149
Bottom end plate	BEB 600 A4	600	A4	7084151

Barrier strips

Designation	Type	Side height mm	Length mm	Surface	Item no.
Barrier strip	TSG 30 FS	30	3,000	FS	6062050
Barrier strip	TSG 30 DD	30	3,000	DD	6062314
Barrier strip	TSG 30 A2	30	3,000	A2	6062052
Barrier strip	TSG 30 A4	30	3,000	A4	6062054
Barrier strip	TSG 45 FS	45	3,000	FS	6062033
Barrier strip	TSG 45 DD	45	3,000	DD	6062321
Barrier strip	TSG 45 A2	45	3,000	A2	6062025
Barrier strip	TSG 45 A4	45	3,000	A4	6062028
Barrier strip	TSG 60 FS	60	3,000	FS	6062068
Barrier strip	TSG 60 DD	60	3,000	DD	6062327
Barrier strip	TSG 60 A2	60	3,000	A2	6062084
Barrier strip	TSG 60 A4	60	3,000	A4	6062086

Technical data

Designation	Type	Side height mm	Length mm	Surface	Item no.
Barrier strip	TSG 85 FS	85	3,000	FS	6062114
Barrier strip	TSG 85 DD	85	3,000	DD	6062331
Barrier strip	TSG 85 A2	85	3,000	A2	6062173
Barrier strip	TSG 110 FS	110	3,000	FS	6062122
Barrier strip	TSG 110 DD	110	3,000	DD	6062335
Barrier strip	TSG 110 A2	110	3,000	A2	6062255

Joint plates

Designation	Type	Width mm	Surface	Item no.
Joint plate	SSLB 100 FS	100	FS	7070205
Joint plate	SSLB 150 FS	150	FS	7070209
Joint plate	SSLB 200 FS	200	FS	7070213
Joint plate	SSLB 300 FS	300	FS	7070217
Joint plate	SSLB 400 FS	400	FS	7070221
Joint plate	SSLB 500 FS	500	FS	7070225
Joint plate	SSLB 600 FS	600	FS	7070233
Joint plate	SSLB 100 A2	100	A2	7070353
Joint plate	SSLB 200 A2	200	A2	7070361
Joint plate	SSLB 300 A2	300	A2	7070365
Joint plate	SSLB 400 A2	400	A2	7070369
Joint plate	SSLB 500 A2	500	A2	7070373
Joint plate	SSLB 600 A2	600	A2	7070381
Joint plate	SSLB 100 A4	100	A4	7070390
Joint plate	SSLB 200 A4	200	A4	7070392
Joint plate	SSLB 300 A4	300	A4	7070394
Joint plate	SSLB 400 A4	400	A4	7070396
Joint plate	SSLB 500 A4	500	A4	7070398
Joint plate	SSLB 600 A4	600	A4	7070400
Joint plate	SSLB 100 DD	100	DD	7070306
Joint plate	SSLB 150 DD	150	DD	7070310
Joint plate	SSLB 200 DD	200	DD	7070314
Joint plate	SSLB 300 DD	300	DD	7070318
Joint plate	SSLB 400 DD	400	DD	7070322
Joint plate	SSLB 500 DD	500	DD	7070326
Joint plate	SSLB 600 DD	600	DD	7070334

Reducer profile/end closure

Designation	Type	Side height mm	Width mm	Surface	Item no.
Reducer profile/end closure	RWEB 310 FS	35	100	FS	7108109

Designation	Type	Side height mm	Width mm	Surface	Item no.
Reducer profile/end closure	RWEB 320 FS	35	200	FS	7108206
Reducer profile/end closure	RWEB 330 FS	35	300	FS	7108311
Reducer profile/end closure	RWEB 610 FS	60	100	FS	7109105
Reducer profile/end closure	RWEB 615 FS	60	150	FS	7109156
Reducer profile/end closure	RWEB 620 FS	60	200	FS	7109202
Reducer profile/end closure	RWEB 630 FS	60	300	FS	7109296
Reducer profile/end closure	RWEB 640 FS	60	400	FS	7109407
Reducer profile/end closure	RWEB 650 FS	60	500	FS	7109504
Reducer profile/end closure	RWEB 660 FS	60	600	FS	7109601
Reducer profile/end closure	RWEB 810 FS	85	100	FS	7110103
Reducer profile/end closure	RWEB 820 FS	85	200	FS	7110200
Reducer profile/end closure	RWEB 830 FS	85	300	FS	7110308
Reducer profile/end closure	RWEB 840 FS	85	400	FS	7110405
Reducer profile/end closure	RWEB 850 FS	85	500	FS	7110502
Reducer profile/end closure	RWEB 860 FS	85	600	FS	7110618
Reducer profile/end closure	RWEB 110 FS	110	100	FS	7111096
Reducer profile/end closure	RWEB 115 FS	110	150	FS	7111201
Reducer profile/end closure	RWEB 120 FS	110	200	FS	7111207
Reducer profile/end closure	RWEB 130 FS	110	300	FS	7111304
Reducer profile/end closure	RWEB 140 FS	110	400	FS	7111428
Reducer profile/end closure	RWEB 150 FS	110	500	FS	7111509
Reducer profile/end closure	RWEB 160 FS	110	600	FS	7111740
Reducer profile/end closure	RWEB 610 A2	60	100	A2	7109814
Reducer profile/end closure	RWEB 615 A2	60	150	A2	7109816
Reducer profile/end closure	RWEB 620 A2	60	200	A2	7109830
Reducer profile/end closure	RWEB 630 A2	60	300	A2	7109857
Reducer profile/end closure	RWEB 640 A2	60	400	A2	7109873
Reducer profile/end closure	RWEB 650 A2	60	500	A2	7109903
Reducer profile/end closure	RWEB 660 A2	60	600	A2	7109938
Reducer profile/end closure	RWEB 610 A4	60	100	A4	7109951
Reducer profile/end closure	RWEB 620 A4	60	200	A4	7109953
Reducer profile/end closure	RWEB 630 A4	60	300	A4	7109955
Reducer profile/end closure	RWEB 640 A4	60	400	A4	7109957
Reducer profile/end closure	RWEB 650 A4	60	500	A4	7109959
Reducer profile/end closure	RWEB 660 A4	60	600	A4	7109961
Reducer profile/end closure	RWEB 310 DD	35	100	DD	7107013
Reducer profile/end closure	RWEB 320 DD	35	200	DD	7107048
Reducer profile/end closure	RWEB 610 DD	60	100	DD	7106106
Reducer profile/end closure	RWEB 615 DD	60	150	DD	7106110
Reducer profile/end closure	RWEB 620 DD	60	200	DD	7106114

Technical data

Designation	Type	Side height mm	Width mm	Surface	Item no.
Reducer profile/end closure	RWEB 630 DD	60	300	DD	7106118
Reducer profile/end closure	RWEB 640 DD	60	400	DD	7106122
Reducer profile/end closure	RWEB 650 DD	60	500	DD	7106126
Reducer profile/end closure	RWEB 660 DD	60	600	DD	7106130
Reducer profile/end closure	RWEB 810 DD	85	100	DD	7107315
Reducer profile/end closure	RWEB 820 DD	85	200	DD	7107331
Reducer profile/end closure	RWEB 830 DD	85	300	DD	7107366
Reducer profile/end closure	RWEB 840 DD	85	400	DD	7107382
Reducer profile/end closure	RWEB 850 DD	85	500	DD	7107404
Reducer profile/end closure	RWEB 860 DD	85	600	DD	7107420
Reducer profile/end closure	RWEB 110 DD	110	100	DD	7107455
Reducer profile/end closure	RWEB 115 DD	110	150	DD	7107463
Reducer profile/end closure	RWEB 120 DD	110	200	DD	7107471
Reducer profile/end closure	RWEB 130 DD	110	300	DD	7107501
Reducer profile/end closure	RWEB 140 DD	110	400	DD	7107536
Reducer profile/end closure	RWEB 150 DD	110	500	DD	7107552
Reducer profile/end closure	RWEB 160 DD	110	600	DD	7107562

Miscellaneous

Designation	Type	For plate thickness mm	Dimension h mm	Surface	Item no.
Edge protection strip	KSB 2 PVC	0.75–2	10	PVC	6072909
Edge protection strip	KSB 4 PVC	1.5–4	15	PVC	6072895

Designation	Type	Cross-section mm ²	Thread	Surface	Item no.
Earthing terminal with fastening thread	EKL 25 M6	25	M6	CuZn37	6404006
Earthing terminal with fastening thread	EKL 35 M6	35	M6	CuZn37	6404014

Designation	Type	Dimension mm	Resistance	Surface	Item no.
FRS truss-head bolt with combination nut	FRSB 6x12 G	M6x 12	5.6	G	6406130
FRS truss-head bolt with combination nut	FRSB 6x 12 F	M6x 12	5.6	F	6406122
FRS truss-head bolt with combination nut	FRSB 6x 16 F	M6x 16	5.6	F	6406157
FRS truss-head bolt with combination nut	FRSB 6x 20 F	M6x 20	5.6	F	6406203
FRS truss-head bolt with combination nut	FRSB 6x 30 F	M6x 30	5.6	F	6406907
FRS truss-head bolt with combination nut	FRSB 6x12 A2	M6x 12	A2-70	A2	6406138
FRS truss-head bolt with combination nut	FRSB 6x16 A2	M6x 16	A2-70	A2	6406189
FRS truss-head bolt with combination nut	FRSB 6x20 A2	M6x 20	A2-70	A2	6406205

Designation	Type	Dimension mm	Resistance	Surface	Item no.
FRS truss-head bolt with combination nut	FRSB 6x12 A4	M6x 12	A4-50	A4	6406142
FRS truss-head bolt with combination nut	FRSB 6x16 A4	M6x 16	A4-50	A4	6406193
FRS truss-head bolt with combination nut	FRSB 6x20 A4	M6x 20	A4-50	A4	6406207

10.2 Amount of fastening material

The number of necessary screws and double clamps varies according to the type of fitting and its width and height. Irrespective of the screw or clamp connection, additional screws are necessary for the fastening of the integrated joint plates. The following tables list the recommended amount of fastening material. Fittings with the side height of 35 mm can only be screwed on.

10.2.1 Recommended amount of fastening material for each screw connection

	in mm	Screws per connection strap				Screws Bottom fastening				Recommended total number of screws			
		H 35	H 60	H 85	H 110	H 35	H 60	H 85	H 110	H 35	H 60	H 85	H 110
RB 45/ RB 90	B 100	1	2	3	4	2	2	2	2	6	10	14	18
	B 150	-	2	-	-	-	2	-	-	-	10	-	-
	B 200	1	2	3	4	4	4	4	4	8	12	16	20
	B 300	1	2	3	4	6	6	6	6	10	14	18	22
	B 400	-	2	3	4	-	6	6	6	-	14	18	22
	B 500	-	2	3	4	-	8	8	8	-	16	20	24
	B 600	-	2	3	4	-	8	8	8	-	16	20	24
RB W	B 100	-	2	3	4	-	2	2	2	-	10	14	18
	B 150	-	2	-	-	-	2	-	-	-	10	-	-
	B 200	-	2	3	4	-	4	4	4	-	12	16	20
	B 300	-	2	3	4	-	6	6	6	-	14	18	22
	B 400	-	2	3	4	-	6	6	6	-	14	18	22
	B 500	-	2	3	4	-	8	8	8	-	16	20	24
	B 600	-	2	3	4	-	8	8	8	-	16	20	24
RAA	B 100	1	2	3	4	2	2	2	2	6	10	14	18
	B 150	-	2	-	-	-	2	-	-	-	10	-	-
	B 200	1	2	3	4	4	4	4	4	8	12	16	20
	B 300	1	2	3	4	6	6	6	6	10	14	18	22
	B 400	-	2	3	4	-	6	6	6	-	14	18	22
	B 500	-	2	3	4	-	8	8	8	-	16	20	24
	B 600	-	2	3	4	-	8	8	8	-	16	20	24
RT	B 100	1	2	3	4	3	3	3	3	9	15	21	27
	B 150	-	2	-	-	-	3	-	-	-	15	-	-
	B 200	1	2	3	4	6	6	6	6	12	18	24	30
	B 300	1	2	3	4	9	9	9	9	15	21	27	33
	B 400	-	2	3	4	-	9	9	9	-	21	27	33
	B 500	-	2	3	4	-	12	12	12	-	24	30	36
	B 600	-	2	3	4	-	12	12	12	-	24	30	36
RK	B 100	1	2	3	4	4	4	4	4	12	20	28	36
	B 150	-	2	-	-	-	4	-	-	-	20	-	-
	B 200	1	2	3	4	8	8	8	8	16	24	32	40
	B 300	1	2	3	4	12	12	12	12	20	28	36	44
	B 400	-	2	3	4	-	12	12	12	-	28	36	44
	B 500	-	2	3	4	-	16	16	16	-	32	40	48
	B 600	-	2	3	4	-	16	16	16	--	32	40	48

Tab. 8: Amount of fastening material for each screw connection

10.2.2 Recommended amount of fastening material for each clamp connection

	in mm	Double clamps per fitting			Screws, bottom fastening		
		H 60	H 85	H 110	H 60	H 85	H 110
RB 45/ RB 90	B 100	4	4	4	2	2	2
	B 150	4	4	4	2	2	2
	B 200	4	4	4	4	4	4
	B 300	4	4	4	6	6	6
	B 400	4	4	4	6	6	6
	B 500	4	4	4	8	8	8
	B 600	4	4	4	8	8	8
RB W	B 100	4	4	4	2	2	2
	B 150	4	4	4	2	2	2
	B 200	4	4	4	4	4	4
	B 300	4	4	4	6	6	6
	B 400	4	4	4	6	6	6
	B 500	4	4	4	8	8	8
	B 600	4	4	4	8	8	8
RAA	B 100	2	2	2	2	2	2
	B 150	2	2	2	2	2	2
	B 200	2	2	2	4	4	4
	B 300	2	2	2	6	6	6
	B 400	2	2	2	6	6	6
	B 500	2	2	2	8	8	8
	B 600	2	2	2	8	8	8
RT	B 100	6	6	6	3	3	3
	B 150	6	6	6	3	3	3
	B 200	6	6	6	6	6	6
	B 300	6	6	6	9	9	9
	B 400	6	6	6	9	9	9
	B 500	6	6	6	12	12	12
	B 600	6	6	6	12	12	12
RK	B 100	8	8	8	4	4	4
	B 150	8	8	8	4	4	4
	B 200	8	8	8	8	8	8
	B 300	8	8	8	12	12	12
	B 400	8	8	8	12	12	12
	B 500	8	8	8	16	16	16
	B 600	8	8	8	16	16	16

Tab. 9: Amount of fastening material for each clamp connection

OBO Bettermann Holding GmbH & Co. KG

P.O. Box 1120
58694 Menden
GERMANY

Customer Service Germany

Tel.: +49 (0)2373 89-1300

toi@obo.de

www.obo-bettermann.com

Date 04/2025

251006.02

Building Connections

